

**GENERAL DRAWING NOTES:**

**1. Material:**

- a. Standard for Stainless Steel is Alloy Number 304 with a minimum wall thickness of 3/32" (.09").
- b. Optional for Stainless Steel is Alloy Number 316 (more corrosion resistant) with a minimum wall thickness of 3/32" (.09").

**2. Finishes:**

- a. Available in Polished, Satin, Non-Directional (Jitterbug) & Bead Blasted finishes.

**3. Doors:**

- a. Standard door thickness is 2".
- b. Available stile widths: 2-3/4" minimum.
- c. Available top rail heights: 2-3/4" minimum.
- d. Available bottom rail heights: 6" minimum (10" recommended to comply with 2004 ADA guidelines).
- e. Center rail minimum is 1-1/2" (per detail 8 on page 7).
- f. For applied glass stop configuration (A-1, A-2 & A-4), the Interior side stops are screw applied and can accommodate most glass thickness (special glass sizes can be accommodated, see page 15 or consult factory).
- g. For flush glazed glass stop configuration (A-3), this requires one screw applied removable bar stop at interior of door at top or bottom rail (special glass sizes can be accommodated, see page 15 or consult factory).

**4. Frames:**

- a. See details following for 3" x 6" nominal profile.
- b. Optional 3" x 5" nominal Profile available (the 1" reduction is taken off the pull side), see details 1A, 7A, 13A & 19A on Page 10 and detail 41A on Page 14.
- c. Optional 1 1/8" x 6" (or 5") nominal Profile header available, see detail 41B on Page 14. Note: mortise is required at surrounding material for balanced hardware.
- d. For applied glass stop configuration the glass thickness may vary as desired. See details on page 15.
- e. For applied glass stop configuration (A-1, A-2 & A-4), the glass location may vary as desired. See detail 4 on page 6, and 18 on page 8.\*
- f. For flush glazed stop configuration (A-3), see details on pages 11 and 12.

**5. Door & Frame:** For multi-light/true divided construction (A-2), intermediate vertical and horizontal muntins (1/4" x 2" minimum) see page 15 and details 14 & 17 on page 8, and 20 & 23 on page 9.

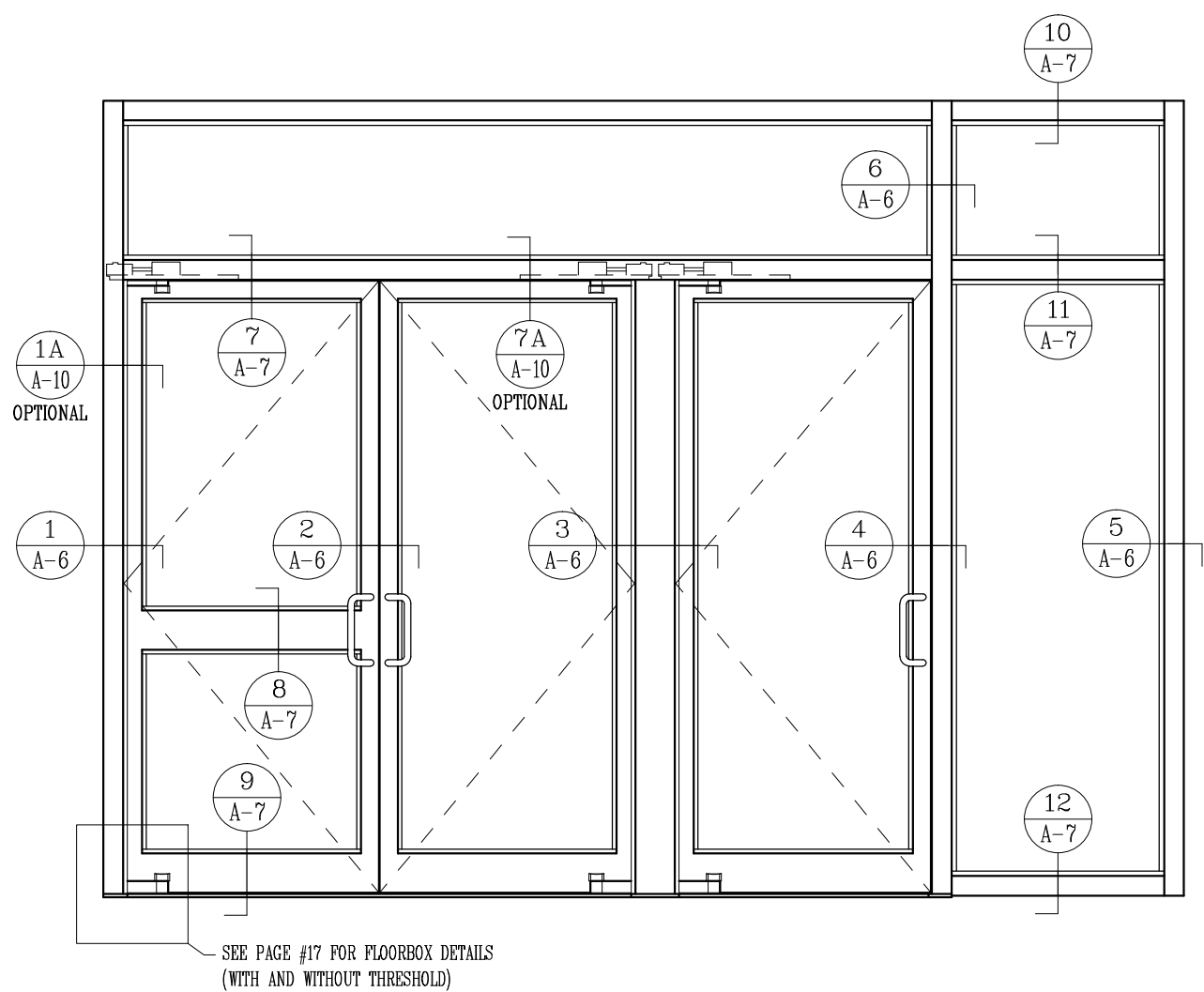
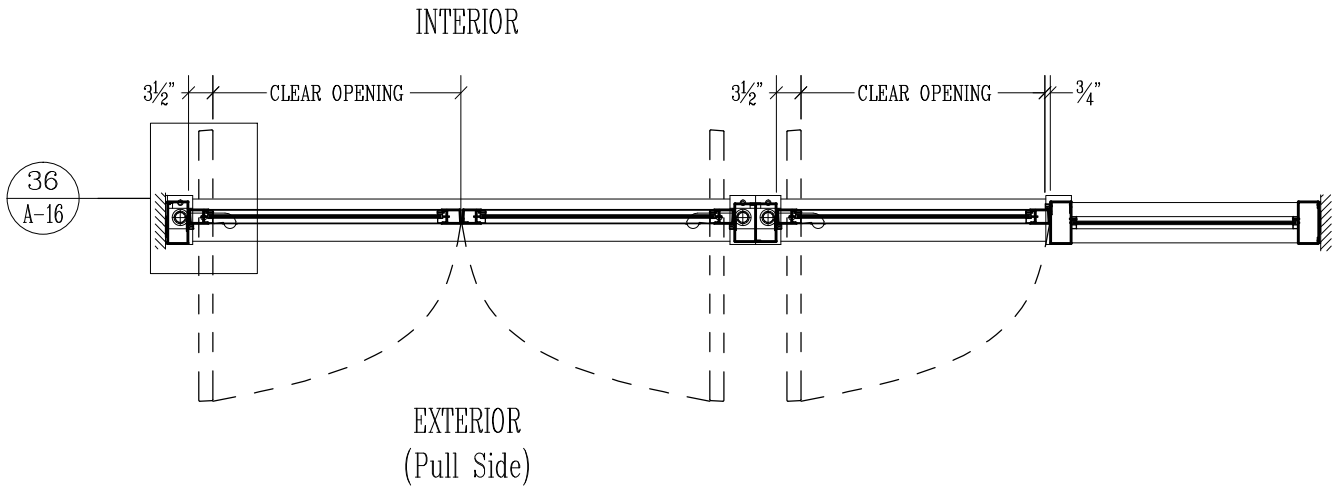
**6. Threshold and floorbox types:** see details on pages 17 & 19.

**7. Door in open position/door projection:** see detail 36 on page 16, and detail 43 on page 18.

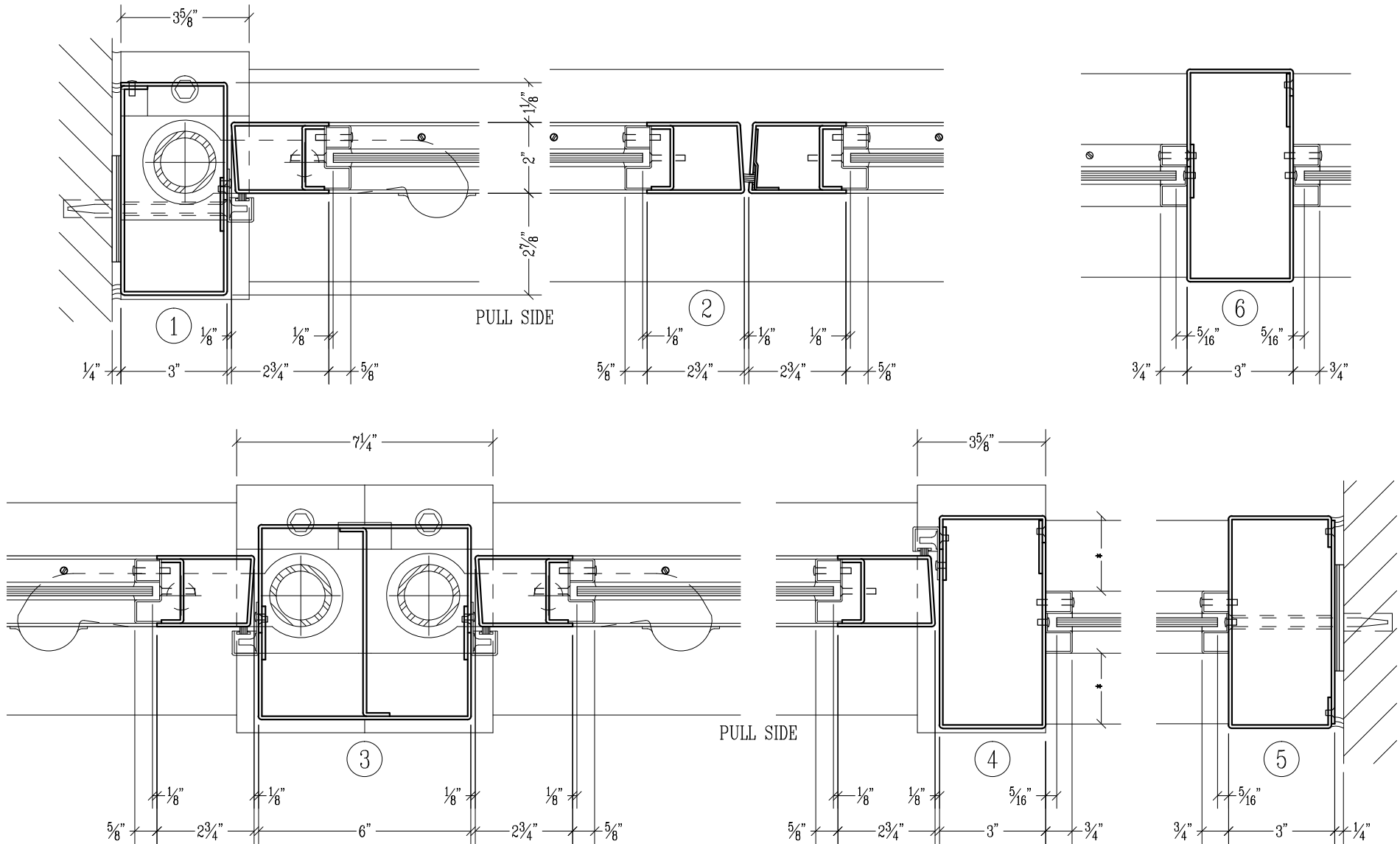
**8. Grilles:** available, consult factory.

**9. Further information:** Refer to specifications following, miscellaneous items section M, curtainwall applications section L, or consult the factory.

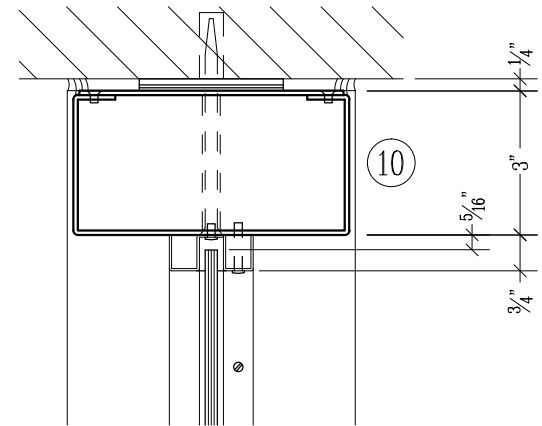
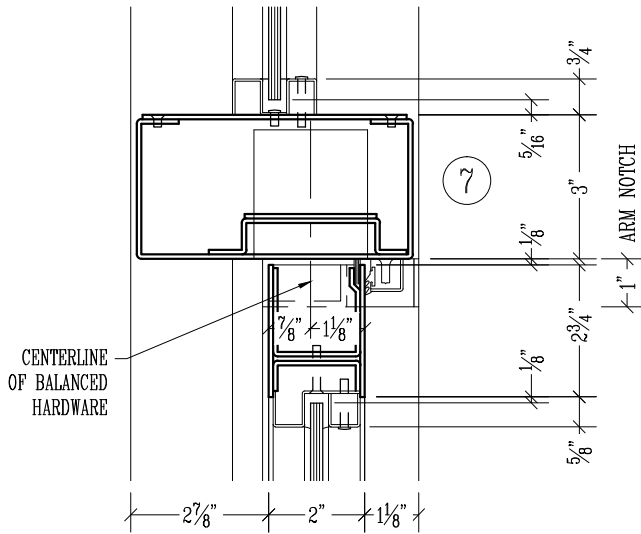
**Concealed Shafts / Framed Sidelight and Transom / Applied Glass Stops (A-1)**



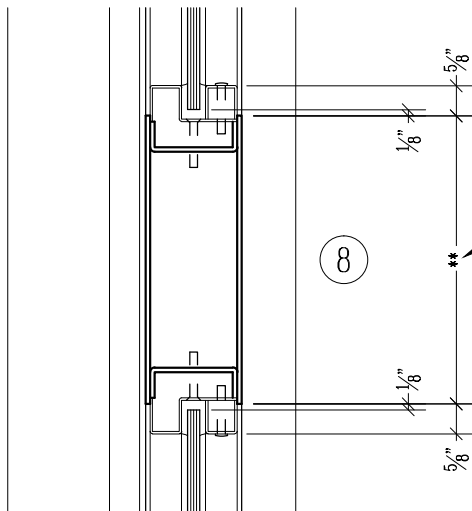
**Concealed Shafts / Framed Sidelight and Transom / Applied Glass Stops (A-1)**



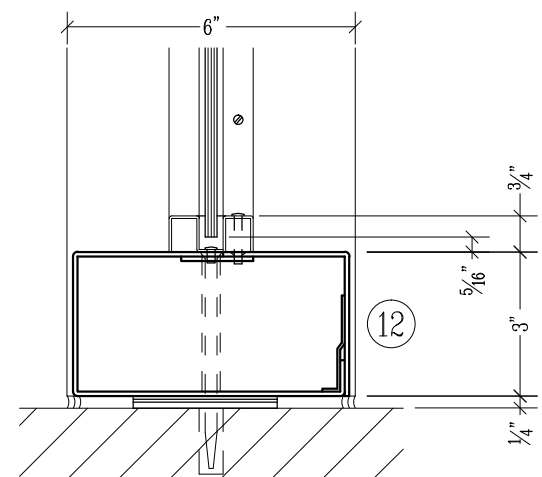
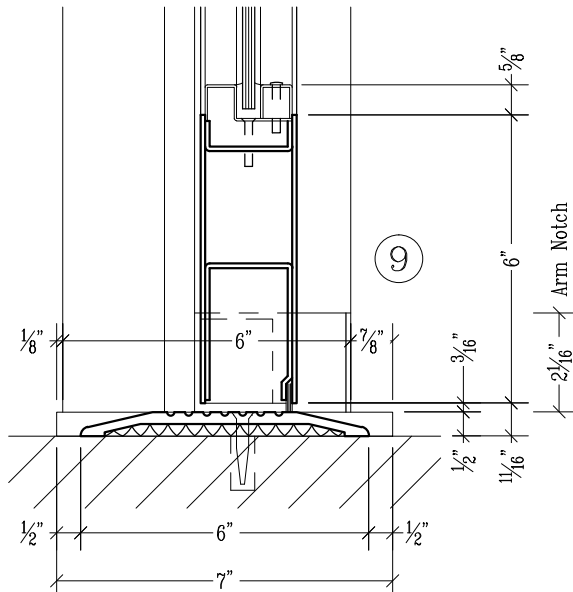
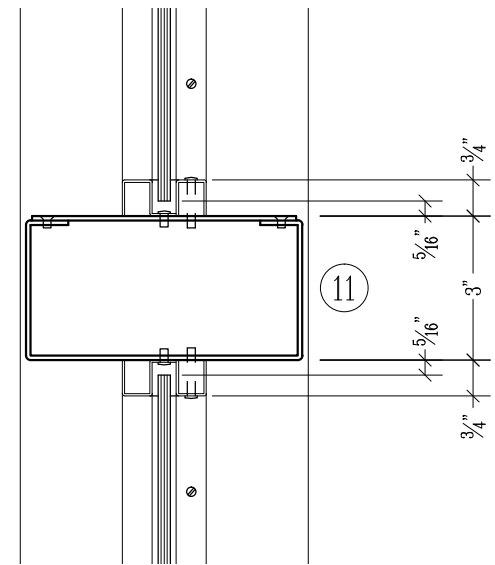
**Concealed Shafts / Framed Sidelight and Transom / Applied Glass Stops (A-1)**



PULL SIDE

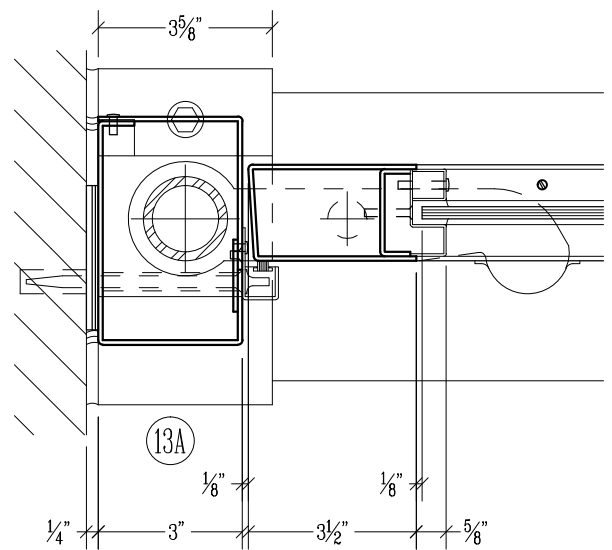
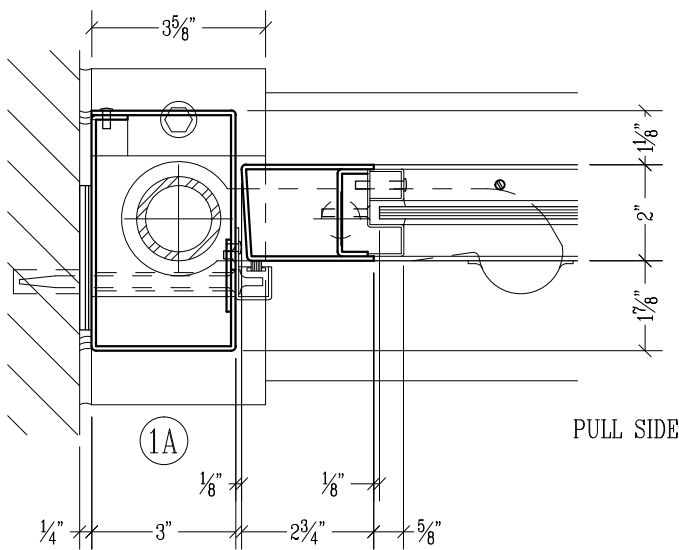
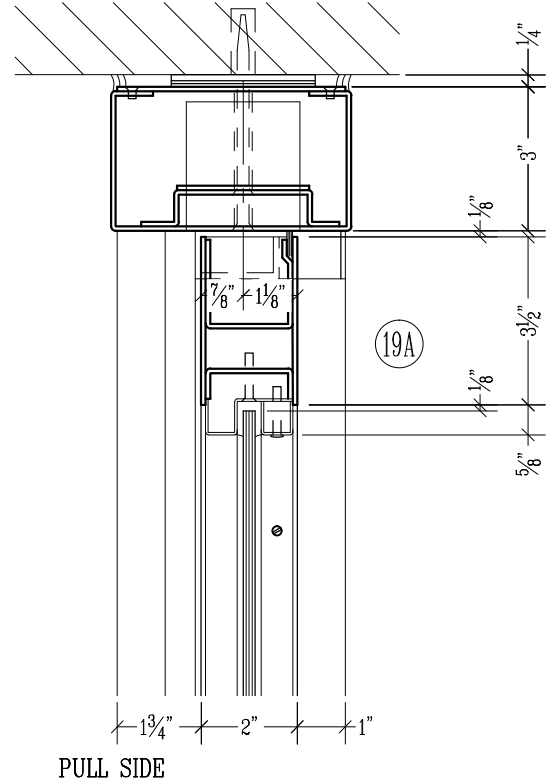
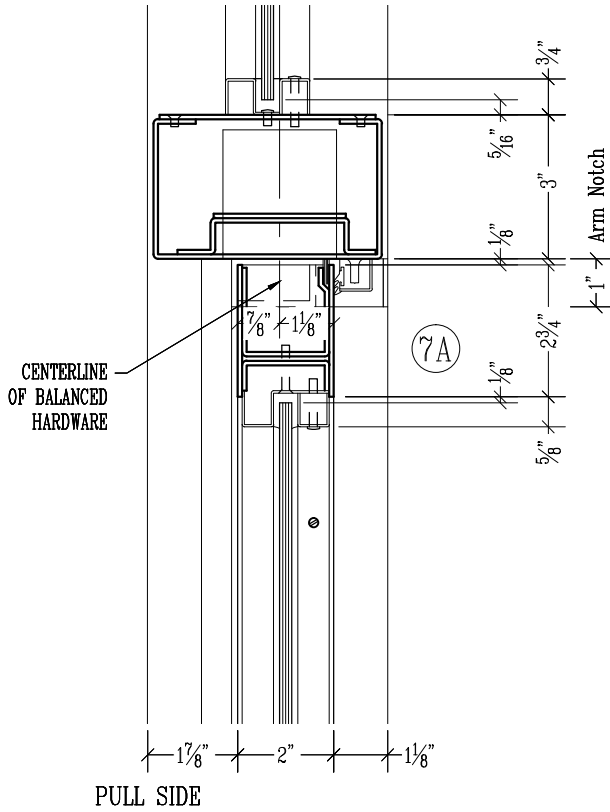


PULL SIDE



SCALE:  $\frac{1}{4}$ " = 1"

Concealed Shafts / Optional 5" Deep Framing (A-1 & 2)

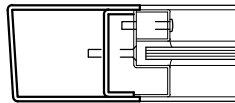


SCALE: 1/4" = 1"

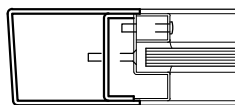
**FORMED-UP STAINLESS STEEL GLASS STOPS FOR DOORS AND FRAMES**  
(consult factory for special glass thickness)

(A-1, 2, 3 & 4)

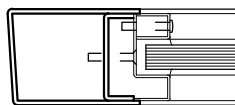
**Door Glass**  
(Applied Stops)



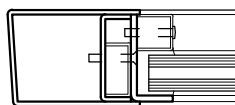
1/4" Thick Glass



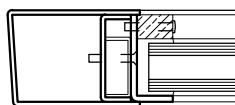
3/8" Thick Glass



1/2" Thick Glass

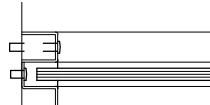


3/4" Thick Glass

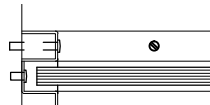


1" Thick Insulated Glass

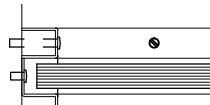
**Frame Glass**  
(Applied Stops)



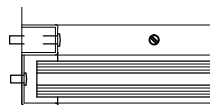
1/4" Thick Glass



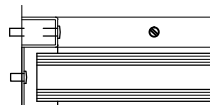
3/8" Thick Glass



1/2" Thick Glass

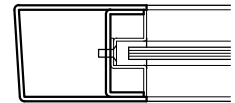


3/4" Thick Glass

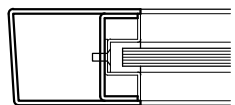


1" Thick Insulated Glass

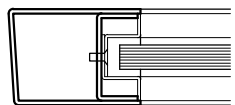
**Door Glass**  
(Flush Glazed Stops)



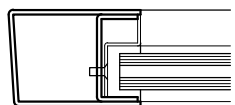
1/4" Thick Glass



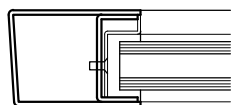
3/8" Thick Glass



1/2" Thick Glass

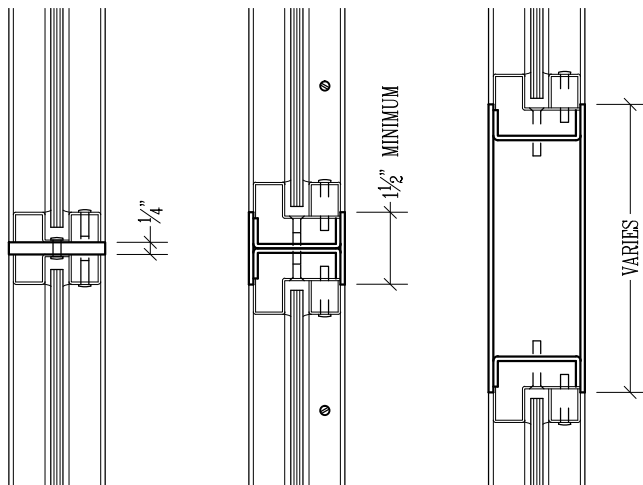


3/4" Thick Glass

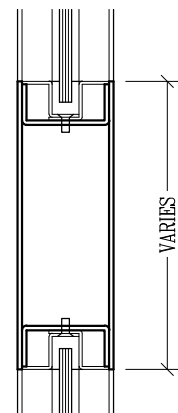


1" Thick Insulated Glass

**FORMED-UP STAINLESS STEEL MID-RAILS FOR DOORS WITH APPLIED STOPS (1/4" GLASS SHOWN).**



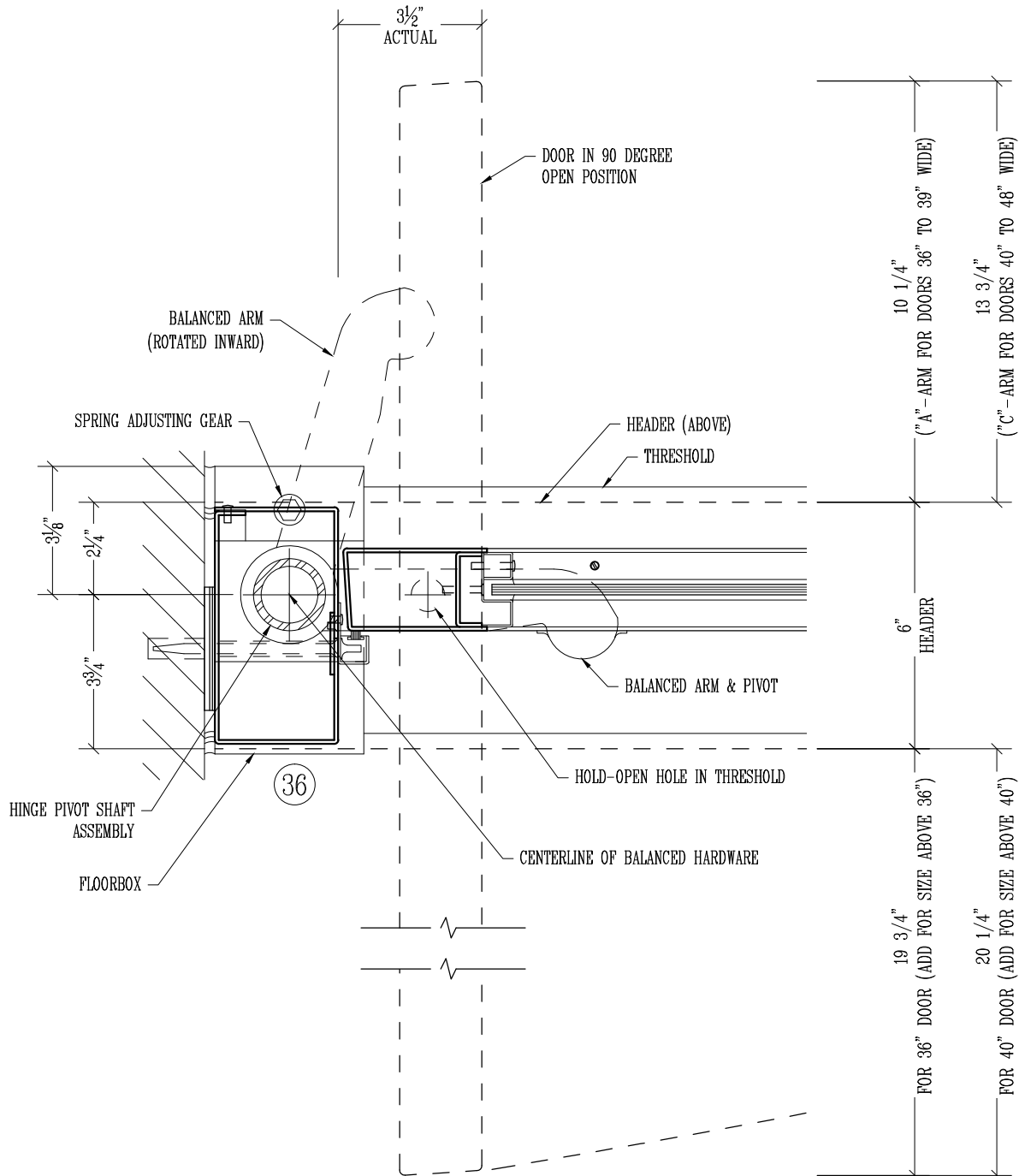
**FORMED-UP STAINLESS STEEL MID-RAIL FOR DOORS WITH FLUSH GLAZED STOPS (1/4" GLASS SHOWN).**



**Concealed Shafts (A-1, 2 & 3)**

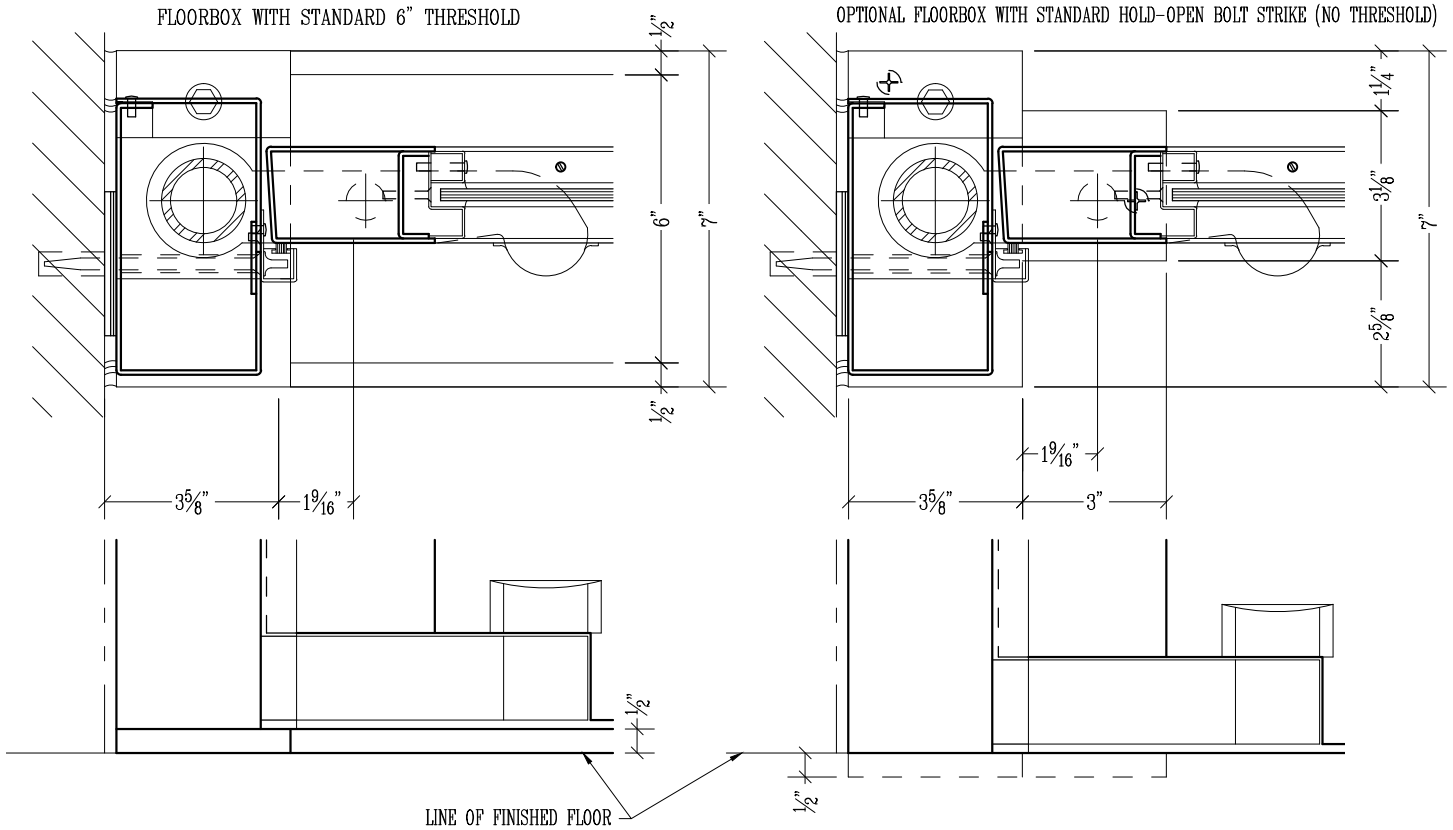
NOTES:

1. Balanced hardware arm and door shown dotted, in the open position ("A" arm size shown).



**Concealed Shafts (A-1, 2 & 3)**

TYPICAL FLOORBOX LAYOUT AT HINGE JAMB.



**AVAILABLE THRESHOLD OPTIONS:**

- 1/2" x 6" Extruded thresholds are available in Aluminum (A), Bronze (B) and Nickel Silver (NS).
- 1/2" x 6" Formed-up stainless steel or bronze saddle type threshold shown (formed-up type can be made in different sizes & profiles consult factory).

