

GENERAL DRAWING NOTES:

1. Material:

- a. Standard for Stainless Steel is Alloy Number 304 with a minimum wall thickness of 3/32" (.09").
- b. Optional for Stainless Steel is Alloy Number 316 (more corrosion resistant) with a minimum wall thickness of 3/32" (.09").

2. Finishes:

- a. Available in Polished, Satin, Non-Directional (Jitterbug) & Bead Blasted finishes.

3. Doors:

- a. Standard door thickness is 2".
- b. Available stile widths: 2-3/4" minimum.
- c. Available top rail heights: 2-3/4" minimum.
- d. Available bottom rail heights: 6" minimum (10" recommended to comply with 2004 ADA guidelines).
- e. Center rail minimum is 1-1/2" (per detail 8 on page 7).
- f. For applied glass stop configuration (A-1, A-2 & A-4), the Interior side stops are screw applied and can accommodate most glass thickness (special glass sizes can be accommodated, see page 15 or consult factory).
- g. For flush glazed glass stop configuration (A-3), this requires one screw applied removable bar stop at interior of door at top or bottom rail (special glass sizes can be accommodated, see page 15 or consult factory).

4. Frames:

- a. See details following for 3" x 6" nominal profile.
- b. Optional 3" x 5" nominal Profile available (the 1" reduction is taken off the pull side), see details 1A, 7A, 13A & 19A on Page 10 and detail 41A on Page 14.
- c. Optional 1 1/8" x 6" (or 5") nominal Profile header available, see detail 41B on Page 14. Note: mortise is required at surrounding material for balanced hardware.
- d. For applied glass stop configuration the glass thickness may vary as desired. See details on page 15.
- e. For applied glass stop configuration (A-1, A-2 & A-4), the glass location may vary as desired. See detail 4 on page 6, and 18 on page 8.*
- f. For flush glazed stop configuration (A-3), see details on pages 11 and 12.

5. Door & Frame: For multi-light/true divided construction (A-2), intermediate vertical and horizontal muntins (1/4" x 2" minimum) see page 15 and details 14 & 17 on page 8, and 20 & 23 on page 9.

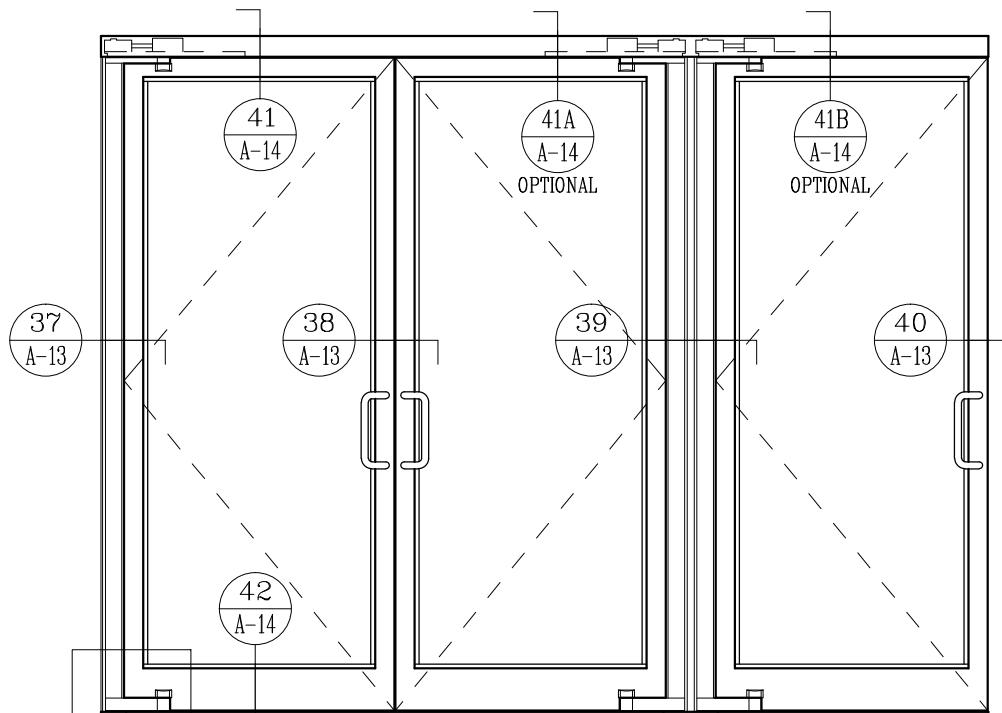
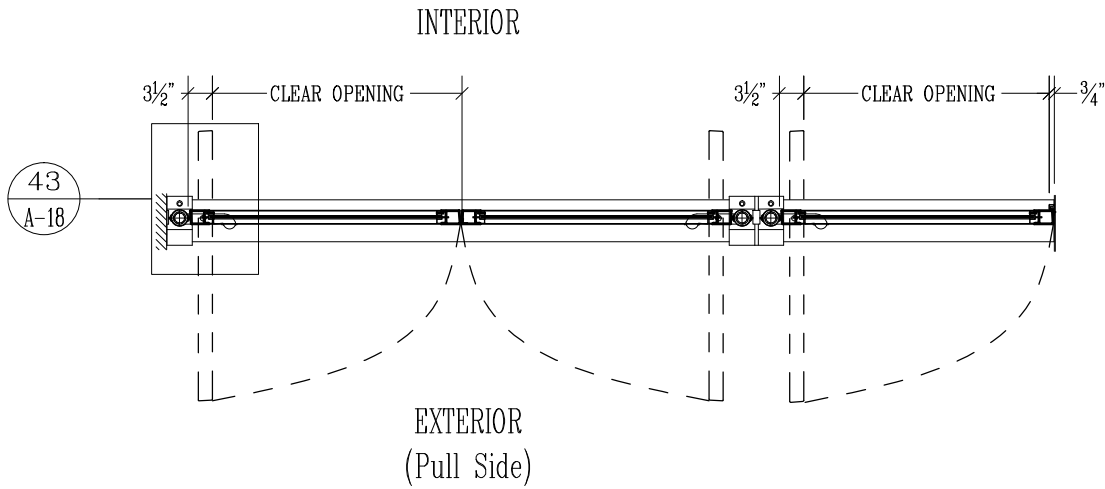
6. Threshold and floorbox types: see details on pages 17 & 19.

7. Door in open position/door projection: see detail 36 on page 16, and detail 43 on page 18.

8. Grilles: available, consult factory.

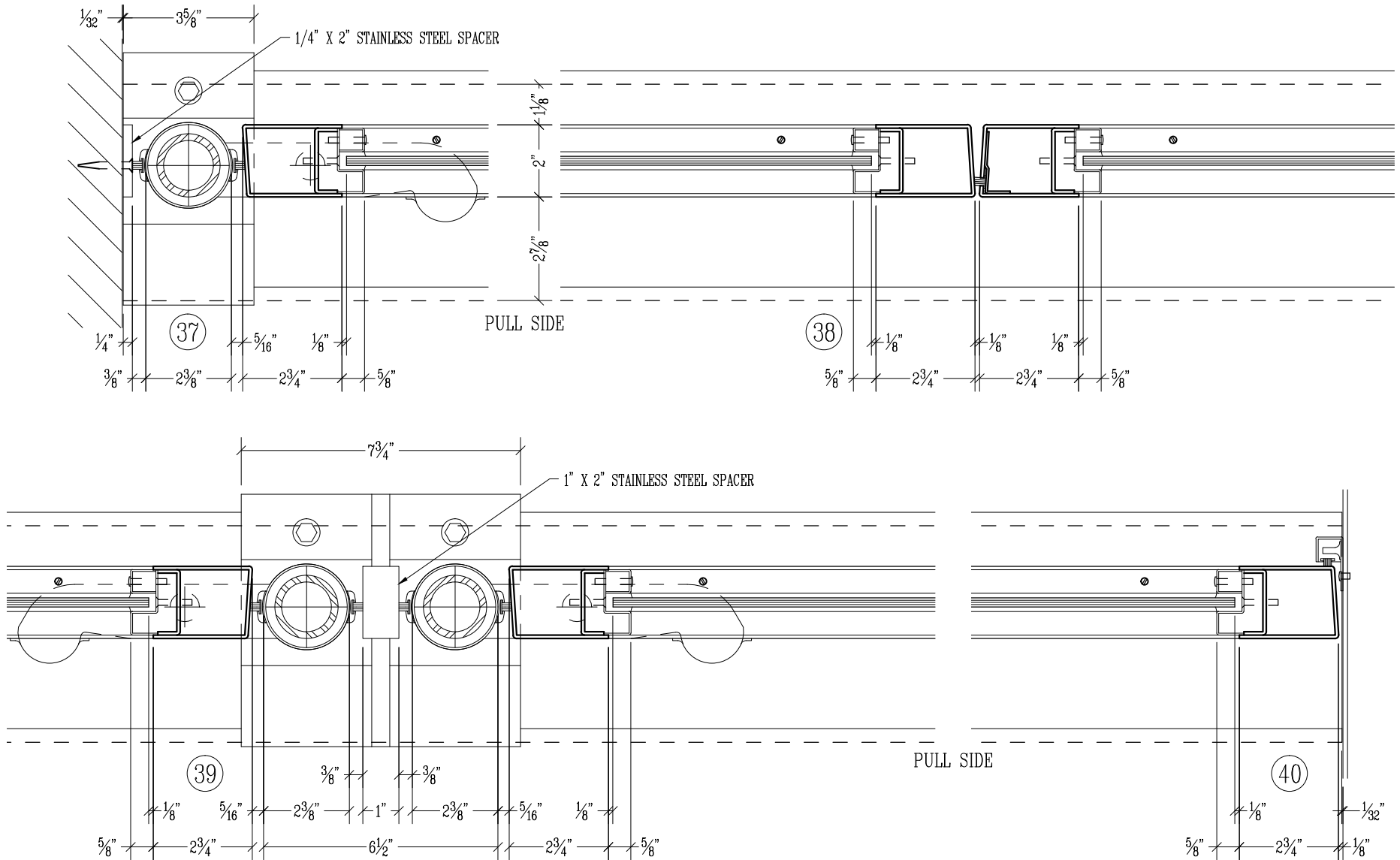
9. Further information: Refer to specifications following, miscellaneous items section M, curtainwall applications section L, or consult the factory.

Exposed Shafts / Header / Applied Glass Stops (A-4)

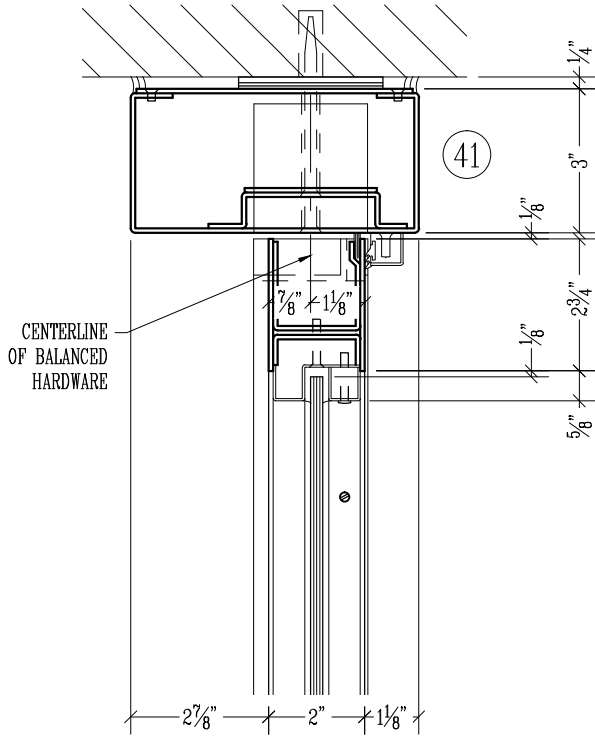


SEE PAGE #19 FOR SIMILAR FLOORBOX DETAILS
(WITH AND WITHOUT THRESHOLD)

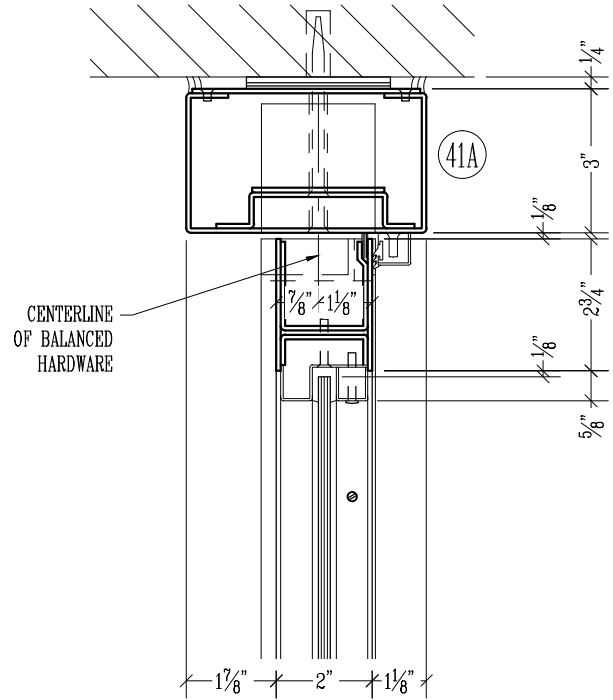
Exposed Shafts / Header / Applied Glass Stops (A-4)



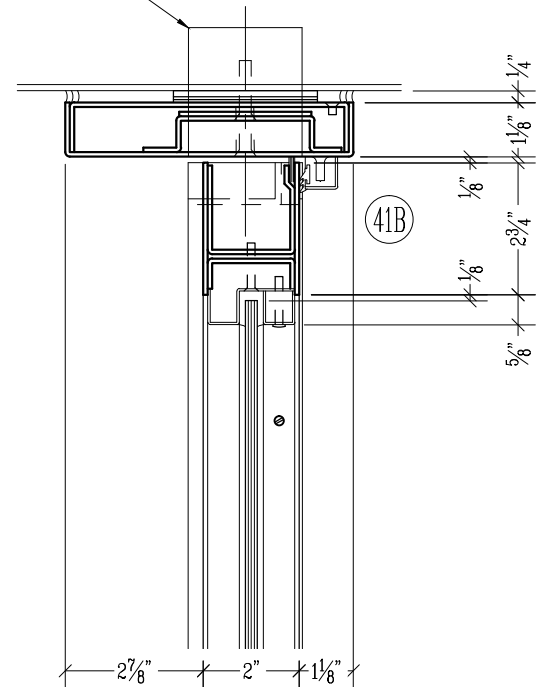
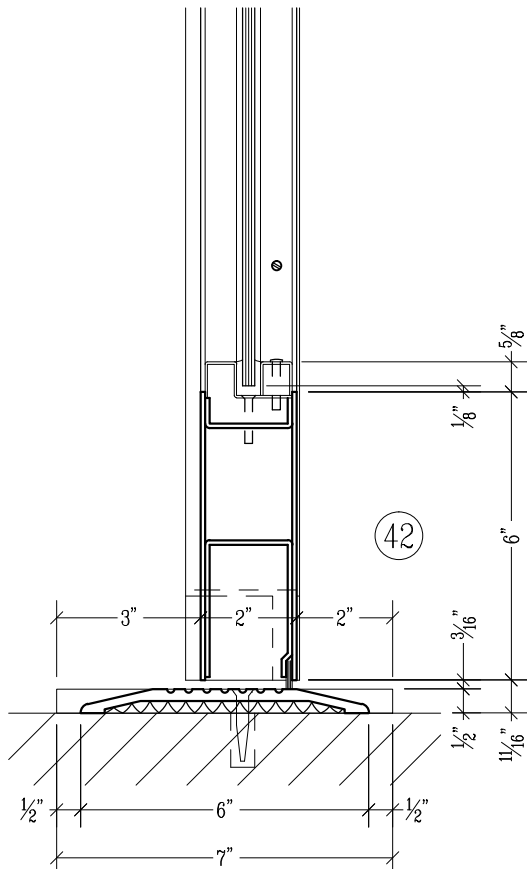
Exposed Shafts / Header / Applied Glass Stops (A-4)



PULL SIDE



MORTISE REQUIRED FOR
BALANCED HARDWARE
AT HEAD



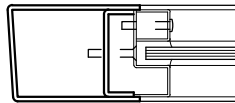
PULL SIDE

SCALE: 1/4" = 1"

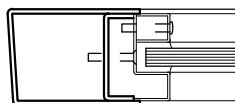
FORMED-UP STAINLESS STEEL GLASS STOPS FOR DOORS AND FRAMES
(consult factory for special glass thickness)

(A-1, 2, 3 & 4)

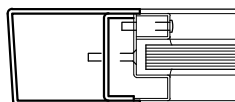
Door Glass
(Applied Stops)



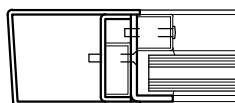
1/4" Thick Glass



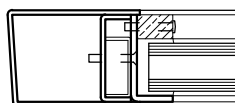
3/8" Thick Glass



1/2" Thick Glass

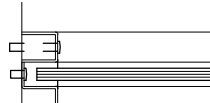


3/4" Thick Glass

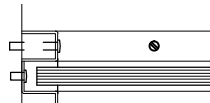


1" Thick Insulated Glass

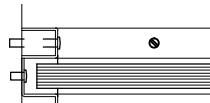
Frame Glass
(Applied Stops)



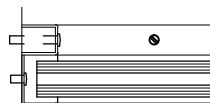
1/4" Thick Glass



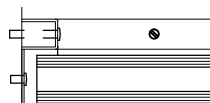
3/8" Thick Glass



1/2" Thick Glass

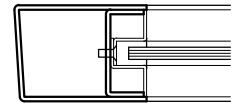


3/4" Thick Glass

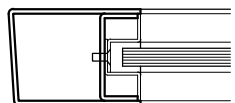


1" Thick Insulated Glass

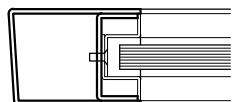
Door Glass
(Flush Glazed Stops)



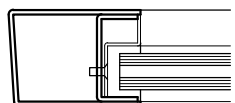
1/4" Thick Glass



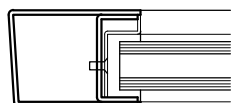
3/8" Thick Glass



1/2" Thick Glass

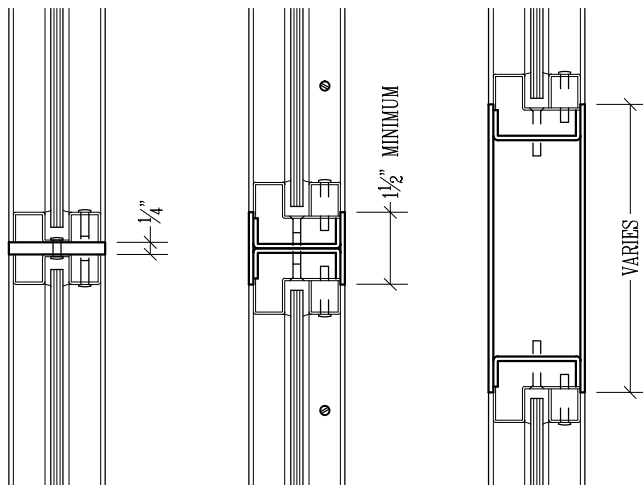


3/4" Thick Glass

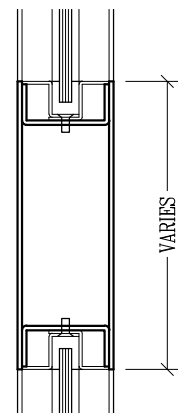


1" Thick Insulated Glass

FORMED-UP STAINLESS STEEL MID-RAILS FOR DOORS WITH APPLIED STOPS (1/4" GLASS SHOWN).



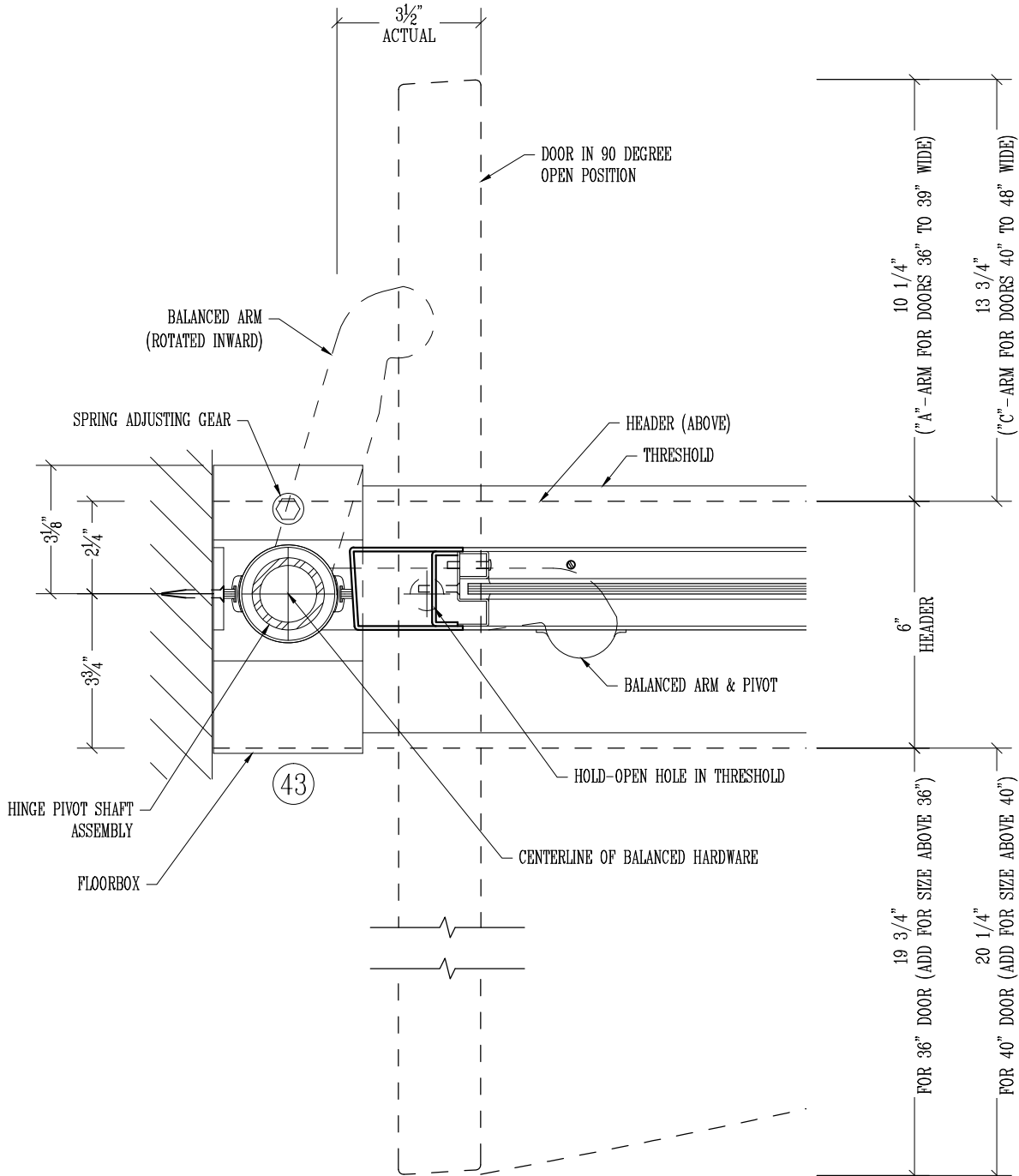
FORMED-UP STAINLESS STEEL MID-RAIL FOR DOORS WITH FLUSH GLAZED STOPS (1/4" GLASS SHOWN).



Exposed Shafts (A-4)

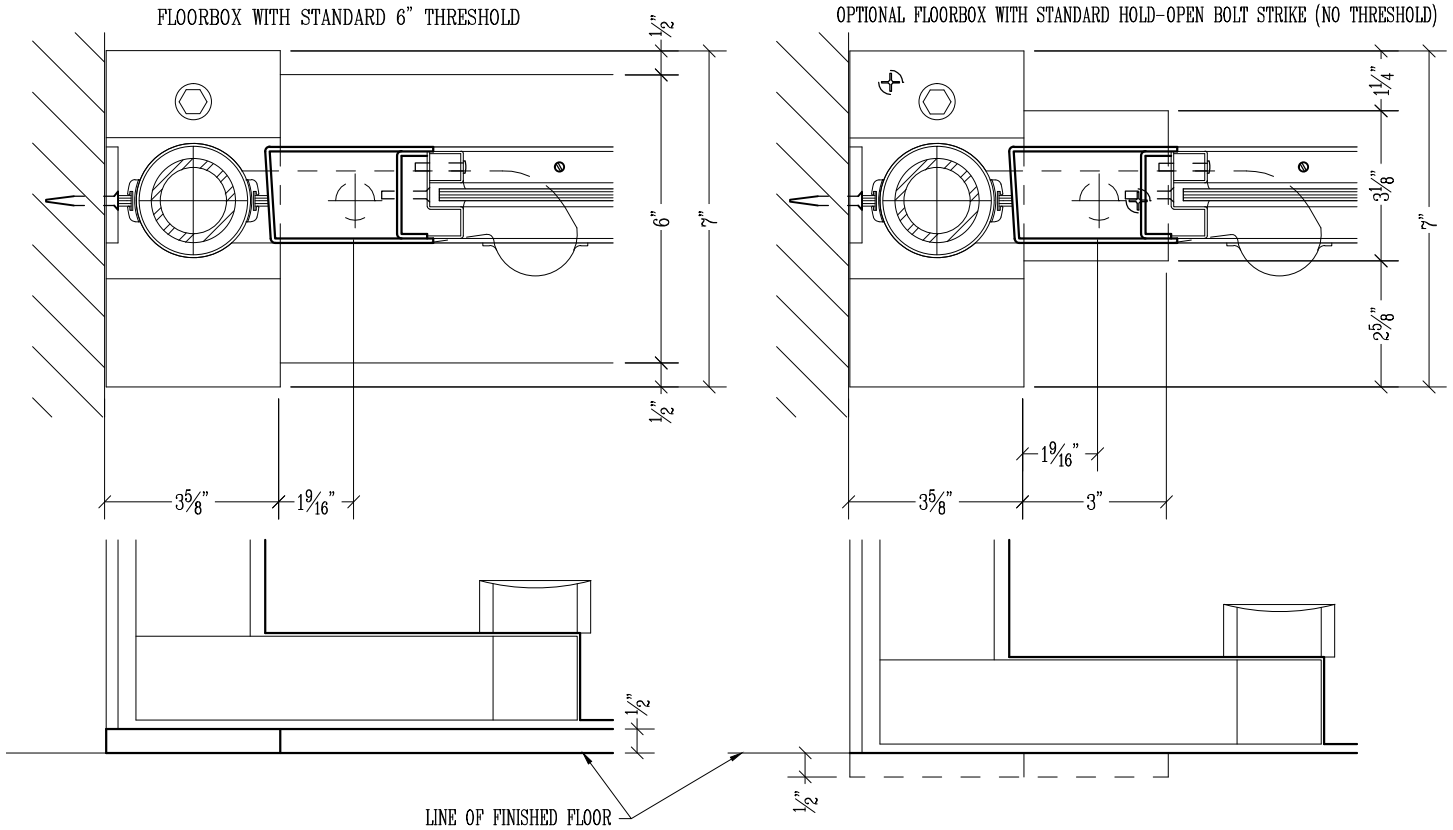
NOTES:

1. Balanced hardware arm and door shown dotted, in the open position ("A" arm size shown).



Exposed Shafts (A-4)

TYPICAL FLOORBOX LAYOUT AT HINGE JAMB.



AVAILABLE THRESHOLD OPTIONS:

1. 1/2" x 6" Extruded thresholds are available in Aluminum (A), Bronze (B) and Nickel Silver (NS).
2. 1/2" x 6" Formed-up stainless steel or bronze saddle type threshold shown (formed-up type can be made in different sizes & profiles consult factory).

