

**GENERAL DRAWING NOTES:**

**1. Material:**

- a. Standard for Stainless Steel is Alloy Number 304 with a minimum wall thickness of 3/32" (.09").
- b. Optional for Stainless Steel is Alloy Number 316 (more corrosion resistant) with a minimum wall thickness of 3/32" (.09").

**2. Finishes:**

- a. Available in Polished, Satin, Non-Directional (Jitterbug) & Bead Blasted finishes.

**3. Doors:**

- a. Standard door thickness is 2".
- b. Available stile width: 1 5/32" minimum.
- c. Available top rail heights: 4-3/4" minimum.
- d. Available bottom rail heights: 4 3/4" minimum (10" recommended to comply with 2004 ADA guidelines).

**4. Frames:**

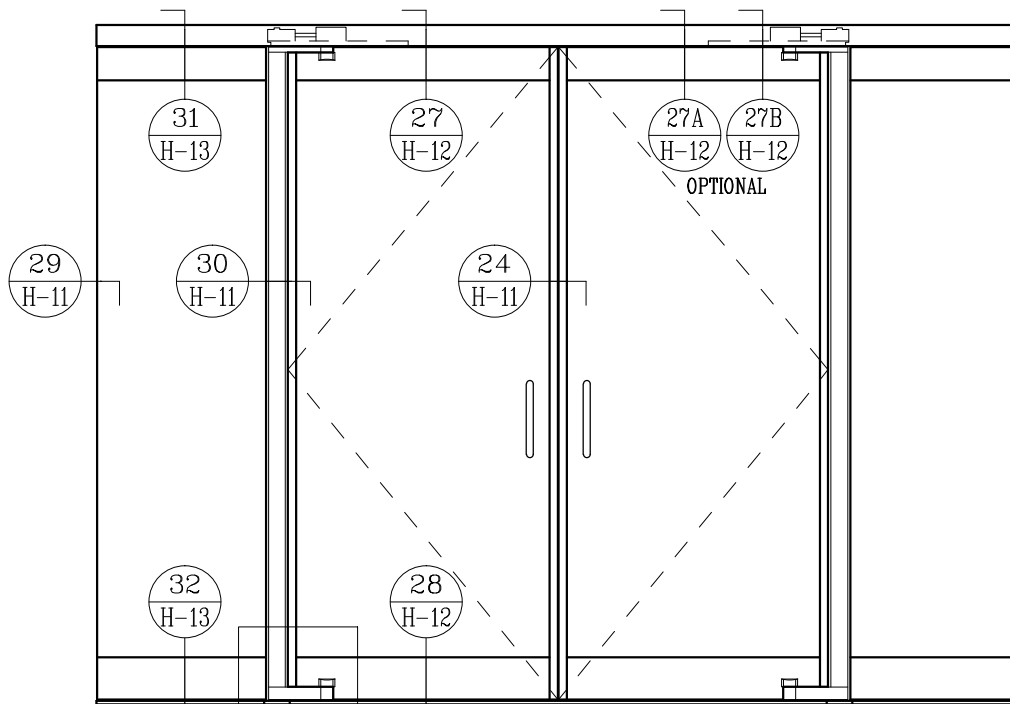
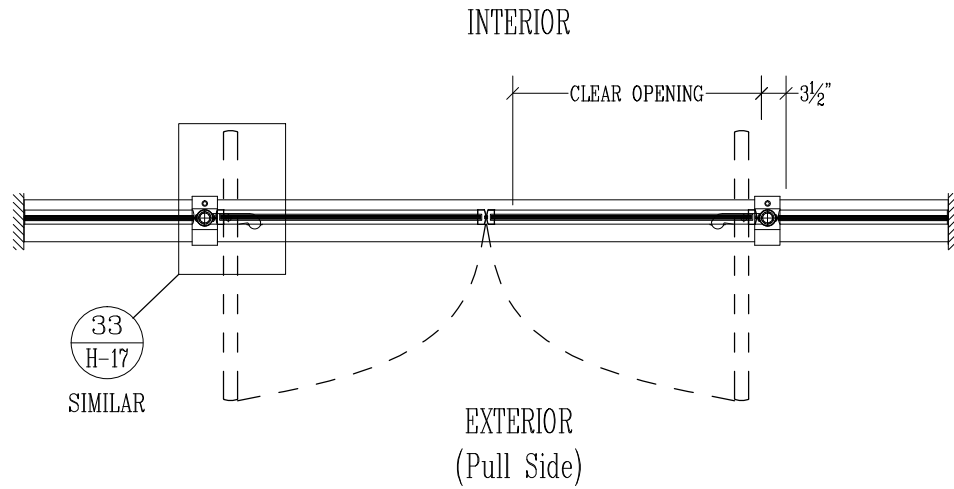
- a. See details following for 3" x 6" nominal profile.
- b. Optional 3" x 5" nominal Profile available (the 1" reduction is taken off the pull side), see details 1A, 7A, 12A & 17A on Page 10.
- c. Optional 1 1/8" x 6" (or 5") nominal Profile header available, see detail 27B on Page 12.  
Note: mortise is required at surrounding material for balanced hardware.
- d. Glass thickness may vary as desired. See details on page 14.
- e. Glass location may vary as desired. See detail 4 on page 6, and 16 on page 8.\*
- f. For multi-light/true divided construction (H-2), intermediate vertical and horizontal muntins (1/4 x 2" minimum) see details 15 on page 8 and 20 on page 9.

**5. Threshold and floorbox types:** see details on pages 16 & 18.

**6. Door in open position and door projection:** see detail 22 on page 15 and detail 33 on page 17.

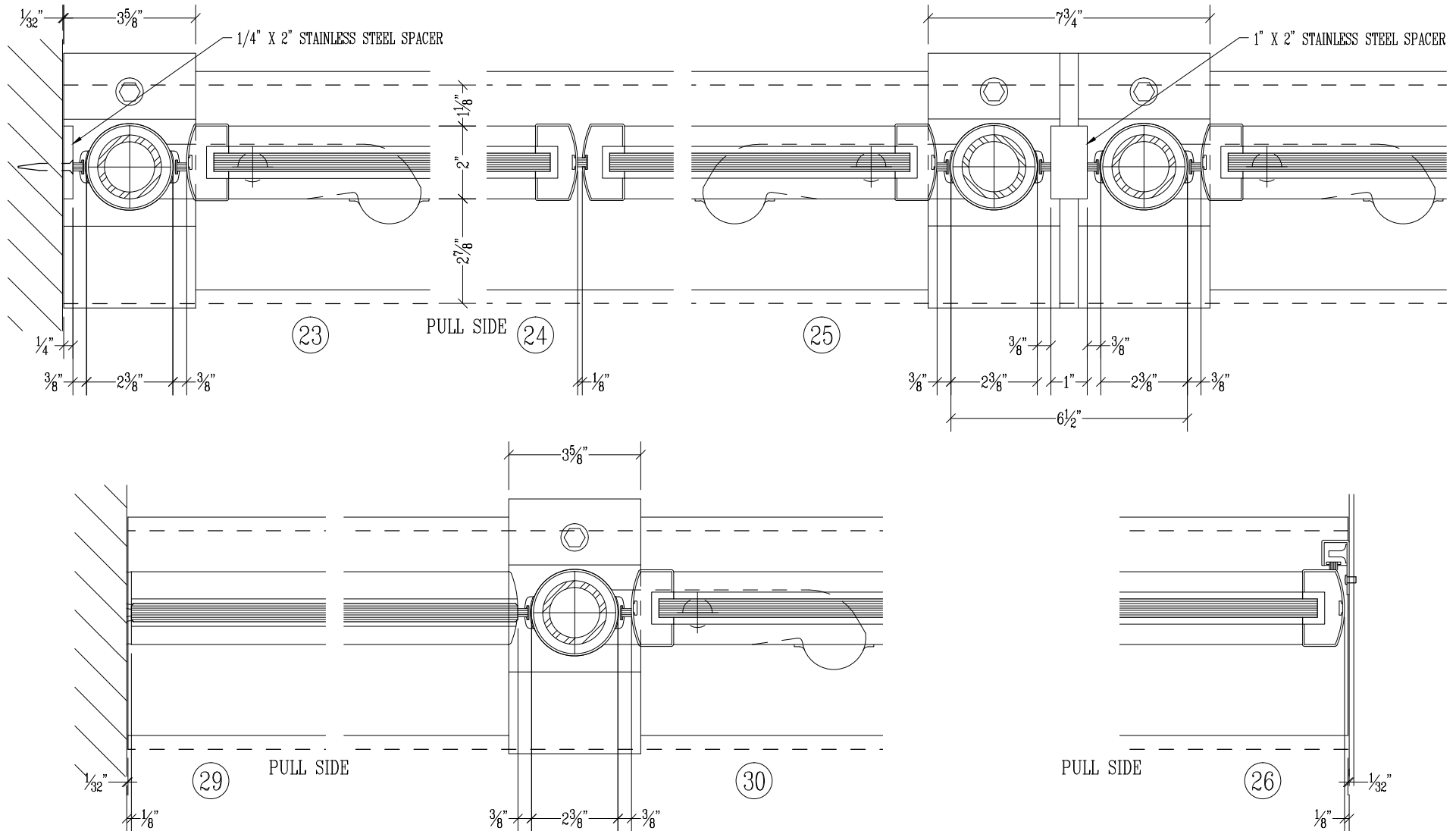
**7. Further information:** Refer to specifications following, miscellaneous items section M, curtainwall applications section L, or consult the factory.

**Exposed Shafts / Header / Tempered Glass Sidelights (H-4)**

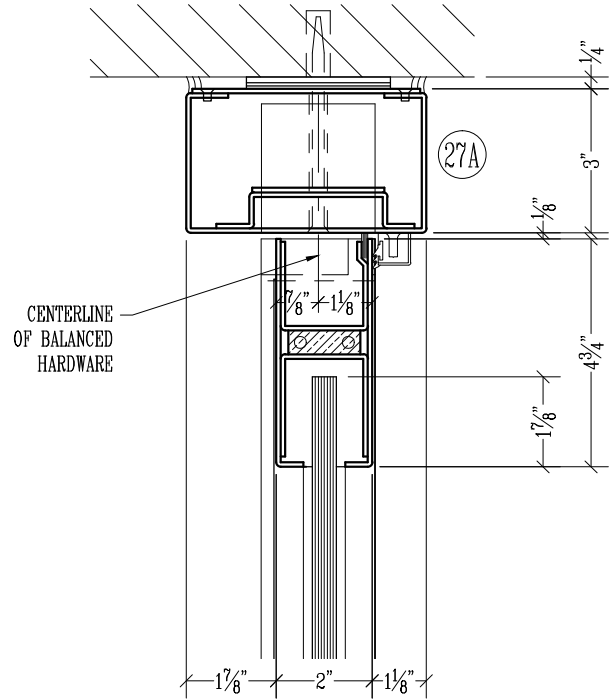
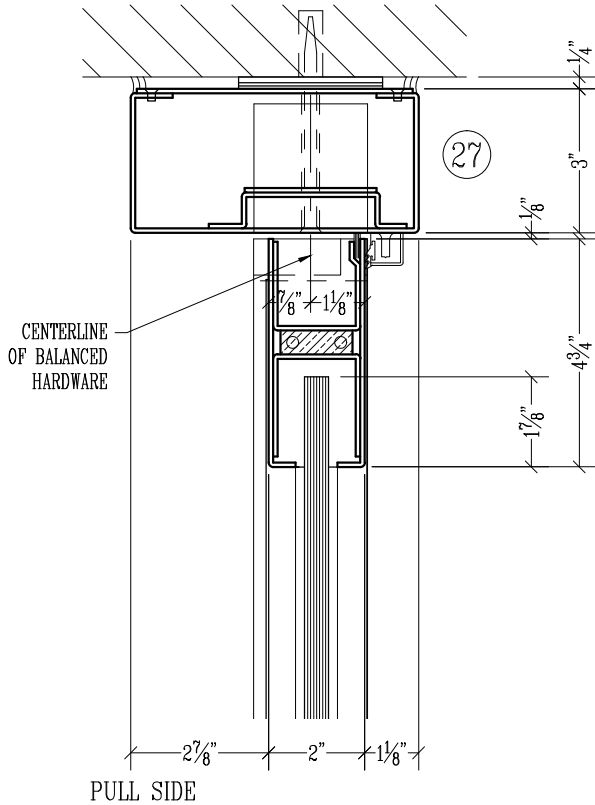


SEE PAGE #18 FOR SIMILAR FLOORBOX DETAILS  
(WITH AND WITHOUT THRESHOLD)

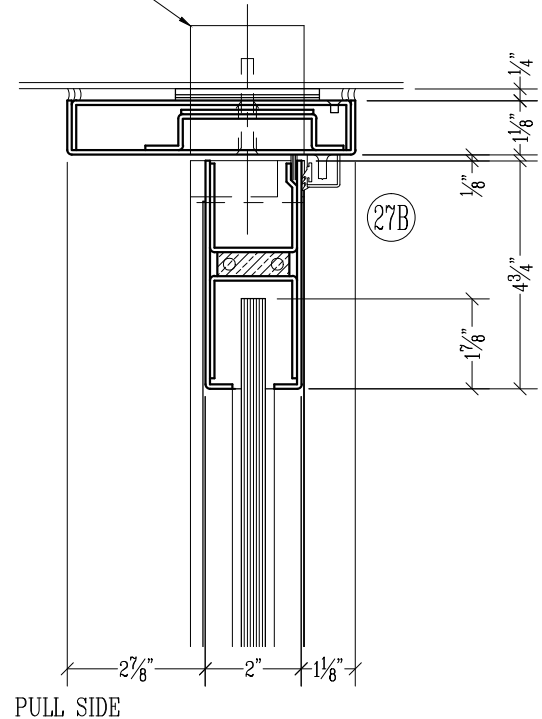
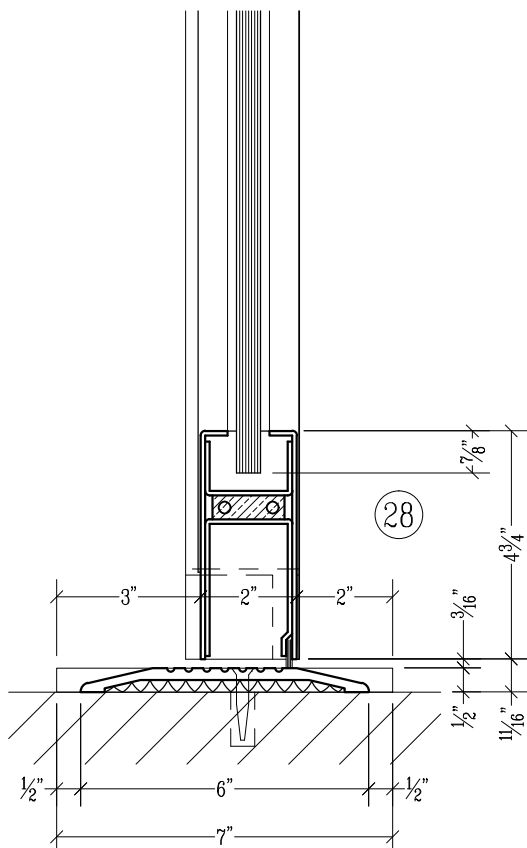
**Exposed Shafts / Header (H-3 & 4)**



**Exposed Shafts / Optional Header Framing (H-3 & 4)**

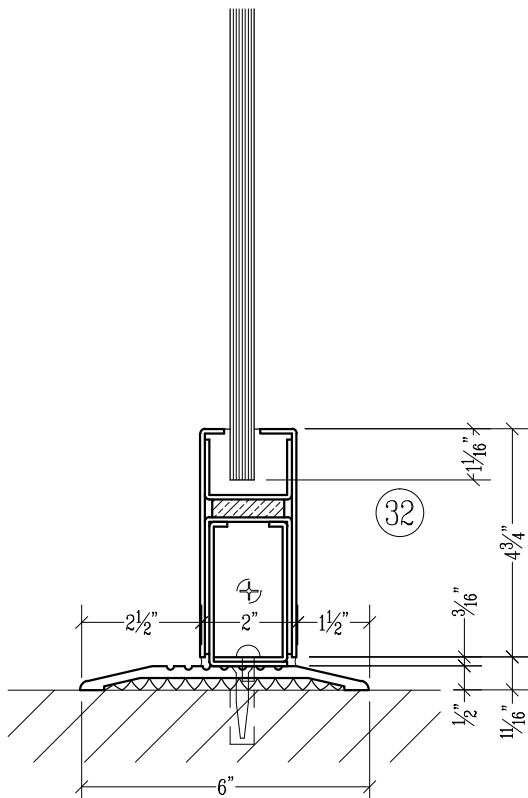
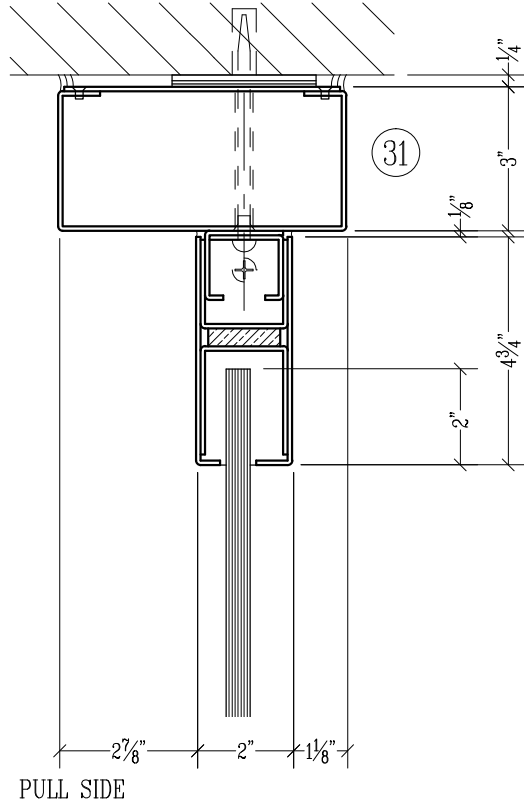


MORTISE REQUIRED FOR BALANCED HARDWARE AT HEAD



SCALE: 1/4" = 1"

**Exposed Shafts / Header / Tempered Glass Sidelights (H-4)**

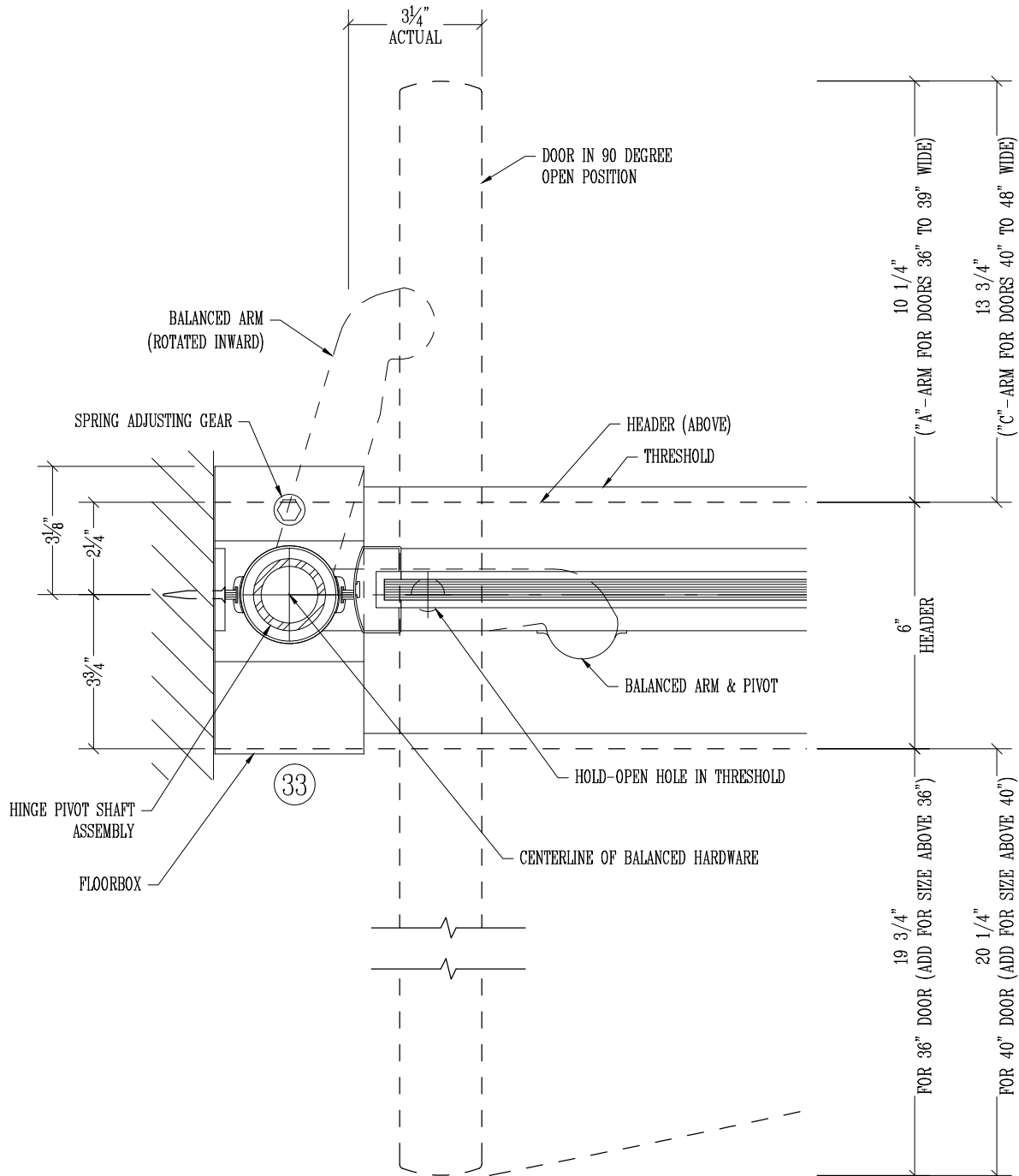


SCALE: 1/4" = 1"

**Exposed Shafts (H-3 & 4)**

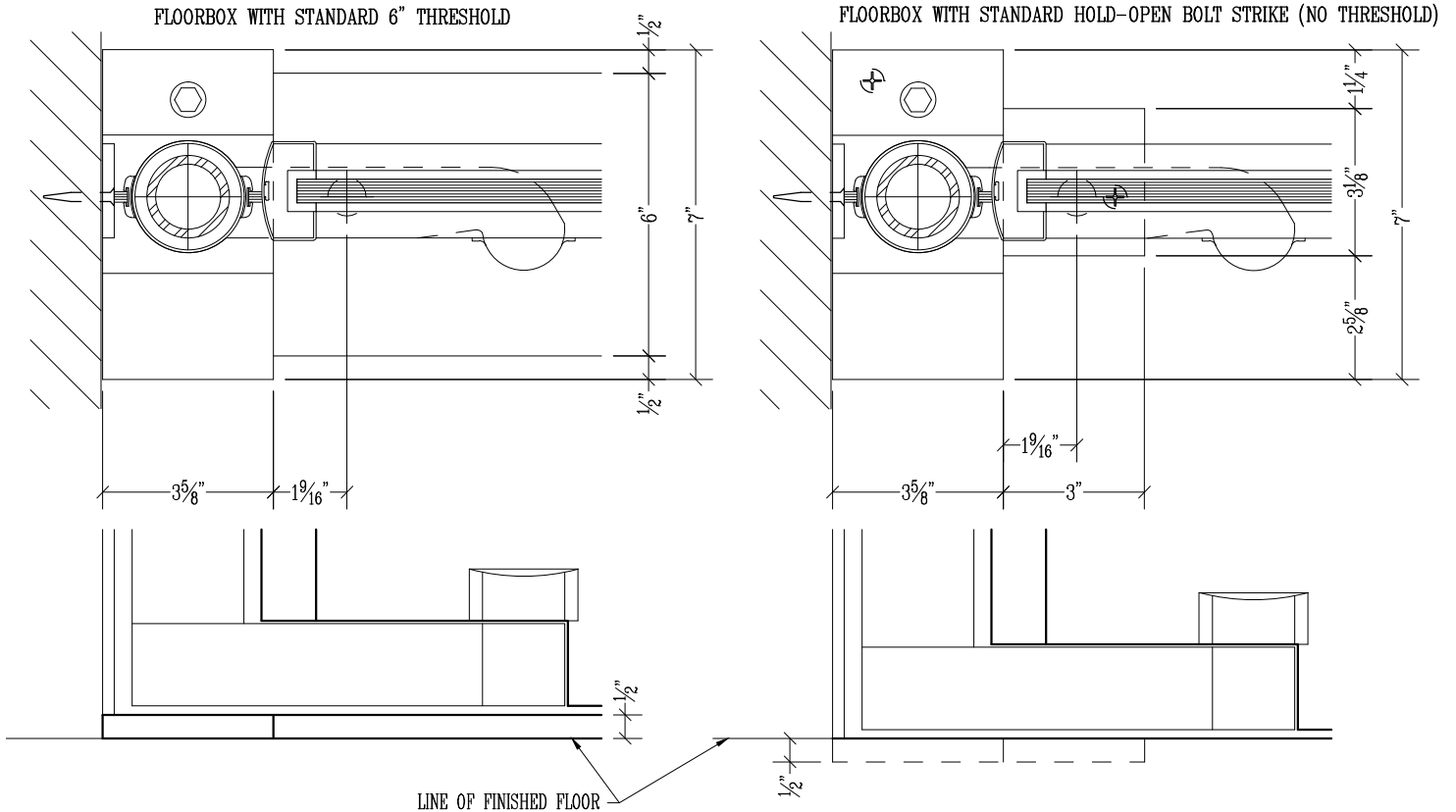
NOTES:

1. Balanced hardware arm and door shown dotted, in the open position ("A arm size shown).



**Exposed Shafts (H-3 & 4)**

TYPICAL FLOORBOX LAYOUT AT HINGE JAMB.



AVAILABLE THRESHOLD OPTIONS:

1. 1/2" x 6" Extruded thresholds are available in Aluminum (A), Bronze (B) and Nickel Silver (NS).
2. 1/2" x 6" Formed-up stainless steel or bronze saddle type threshold shown (formed-up type can be made in different sizes & profiles consult factory).

