

**GENERAL DRAWING NOTES:**

**1. Material:**

- a. Muntz Metal Alloy Number 280 or Naval Brass Alloy Number 464 with a minimum wall thickness of 3/32" (.09").

**2. Finishes:**

- a. Available in Polished, Satin, Non-Directional (Jitterbug) & Bead Blasted finishes.

**3. Doors:**

- a. Standard door thickness is 2".
- b. Available stile widths: 2 3/4" minimum.
- c. Available top rail heights: 2-3/4" minimum.
- d. Available bottom rail heights: 6" minimum (10" recommended to comply with 2004 ADA guidelines).
- e. Refer to section B detail 8 on page 7 for center rail detail.
- f. Refer to section B-3 for optional flush glazed glass stop configuration.
- g. Refer to section B page 15 for typical glass stop configurations to accommodate various glass thickness.

**4. Frames:**

- a. See details following for header profile required for specific power operator, and vertical jamb framing to properly support the power operator header.
- b. Refer to section B for framed sidelight and transom configurations with either applied glass stop configuration, B-1 & B-2 or flush glazed glass stop configuration, B-3.
- c. Consult factory for bottom load type power operator configuration if required for recessed header applications.

**5. Door & Frame:** Refer to section B-2 and section B page 15 for multi-light/true divided construction.

**6. Threshold and floorbox types:** Refer to section B pages 17 & 19 for details.

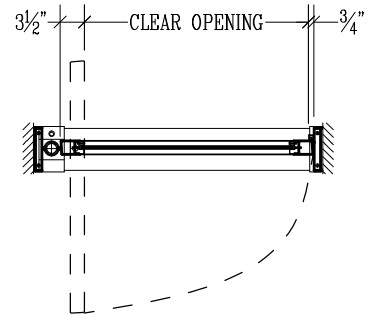
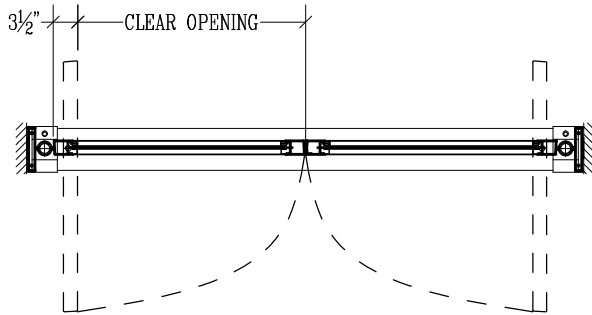
**7. Door in open position/door projection:** Refer to section B pages 16 & 18 for details.

**8. Grilles:** available, consult factory.

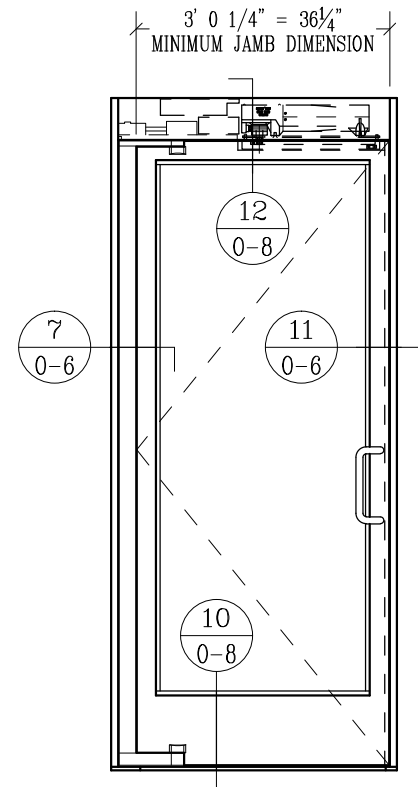
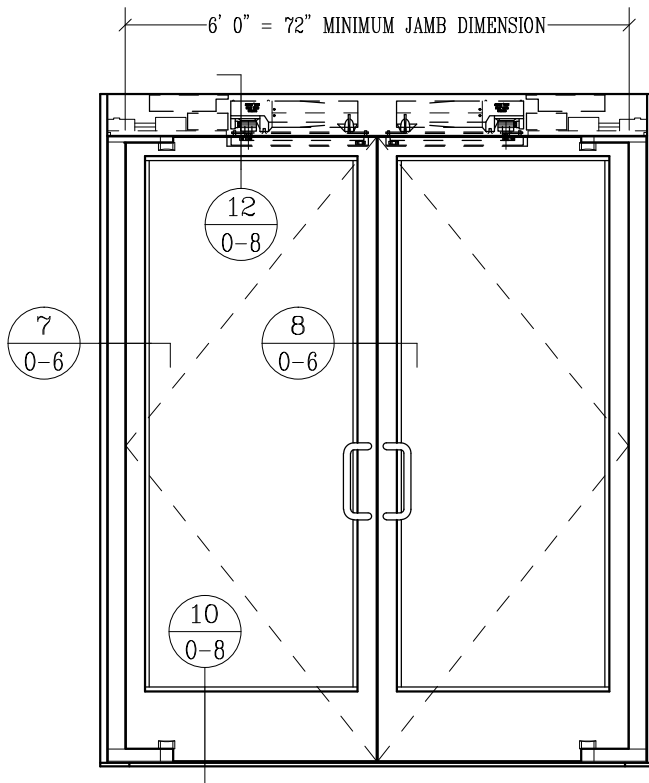
**9. Further information:** Refer to specifications following, miscellaneous items section M, curtainwall applications section L, or consult the factory.

**Exposed Shafts / Stanley "Power Now" (O-2)**

INTERIOR

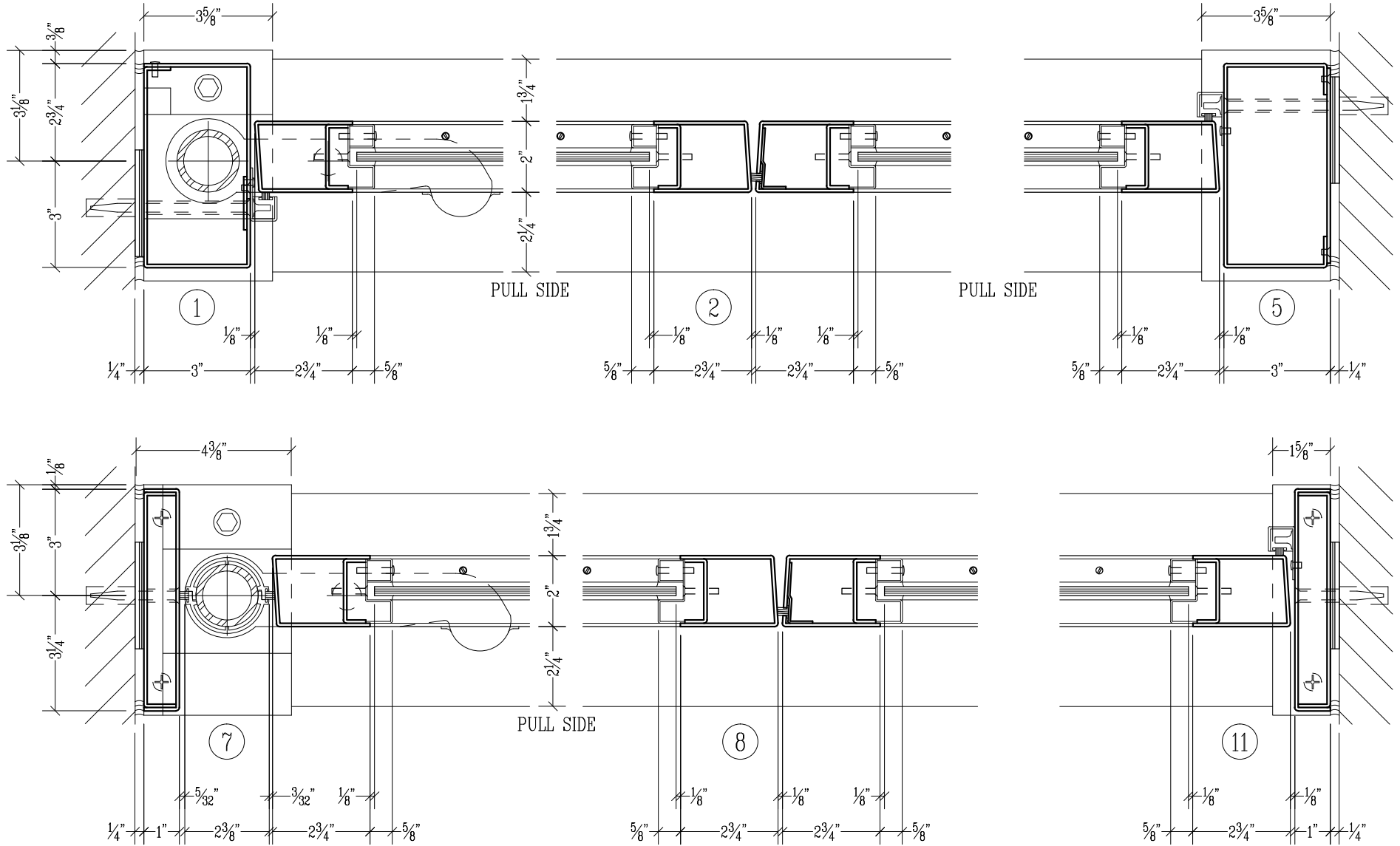


EXTERIOR  
(Pull Side)

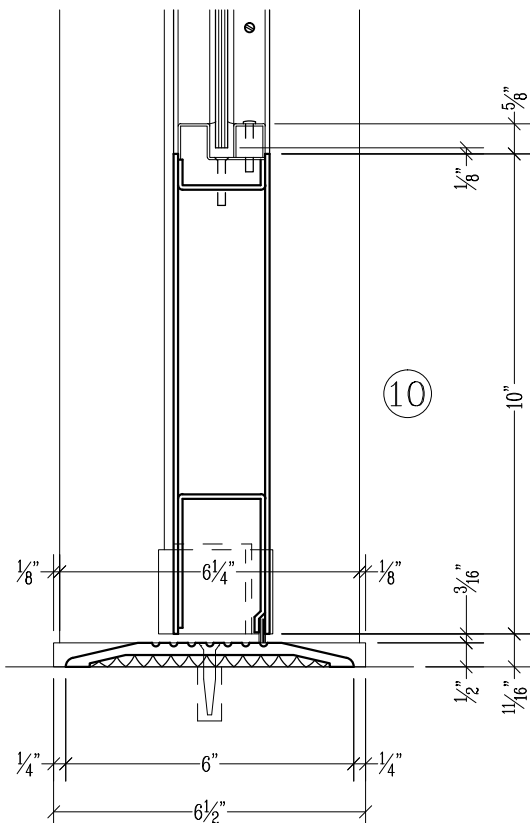
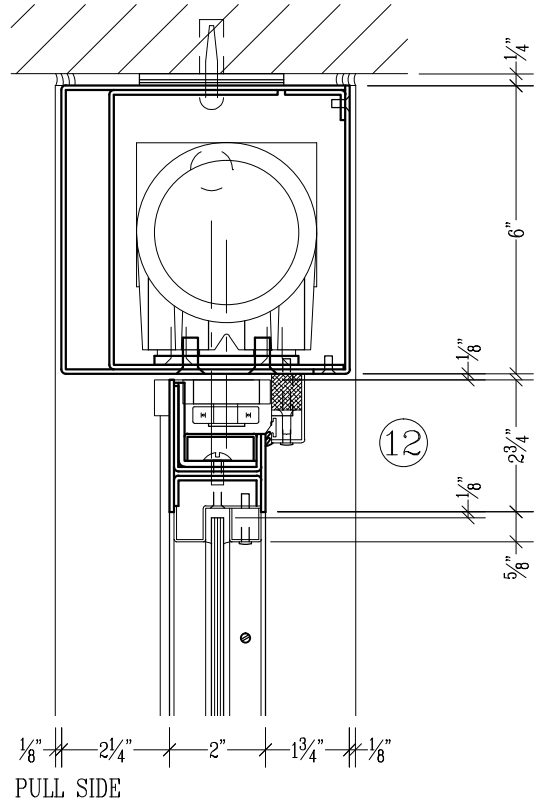
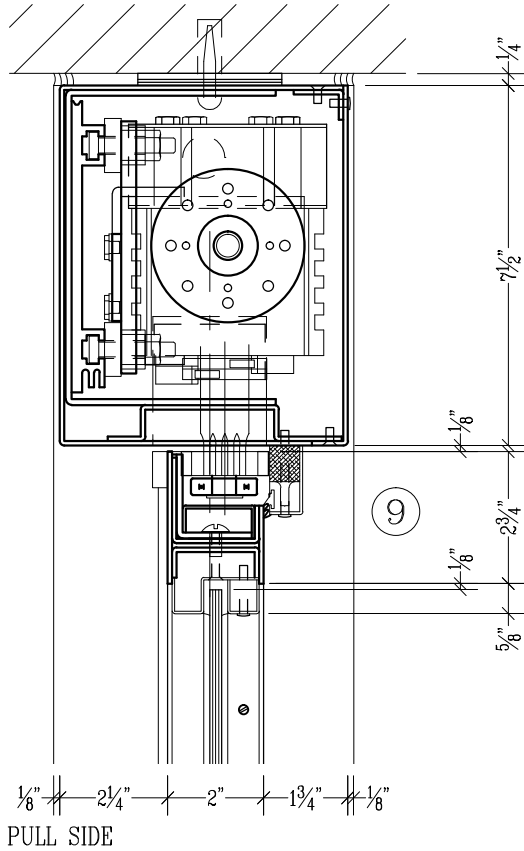


SHOWN WITH STANLEY POWER OPERATORS

"Power Now" (O-1 & 2)



**Exposed Shafts / "Power Now" (O-2)**



Note: Side load type power operator configurations shown at details 9 & 12 (consult factory for optional bottom load configuration if required for recessed header applications)

SCALE: 1/4" = 1"