

**GENERAL DRAWING NOTES:**

**1. Material:**

- a. Extruded aluminum alloy 6063-T6 with a minimum wall thickness of 1/8".

**2. Finishes:**

- a. Available in anodized, kynar painted and powder coat paint finishes

**3. Doors:**

- a. Standard door thickness is 2".
- b. Available stile widths: 2-1/2", 3-1/2" and 4-1/2".
- c. Available top rail heights: 2-1/2", 3-1/2" and 5".
- d. Available bottom rail heights: 6" and 10" or greater using dress plates (10" recommended to comply with 2004 ADA guidelines).
- e. Refer to section C detail 8 on page 6 for center rail detail.
- f. Interior side glass stops snap on to accommodate most glass thickness (refer to section C page 12 for typical glass stop configurations to accommodate various glass thickness, or consult factory).

**4. Frames:**

- a. See details following for header profile required for specific power operator, and vertical jamb framing to properly support the power operator header.
- b. Refer to section C for framed sidelight and transom configurations with applied glass stop configuration, C-1 & C-2 .
- c. Consult factory for bottom load type power operator configuration if required for recessed header applications.

**5. Door & Frame:** Refer to section C-2 and section C page 12 for multi-light/true divided construction.

**6. Threshold and floorbox types:** Refer to section C pages 14 & 16 for details.

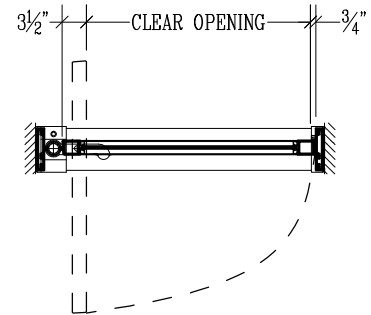
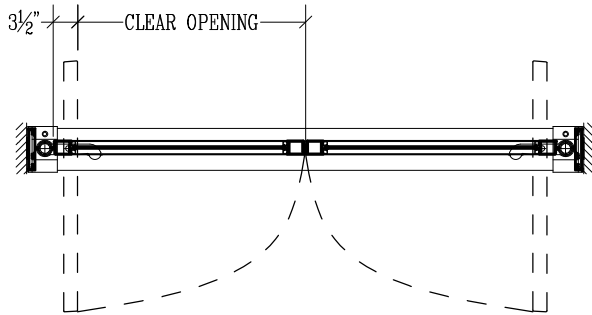
**7. Door in open position/door projection:** Refer to section C pages 13 & 15 for details.

**8. Grilles:** available, consult factory.

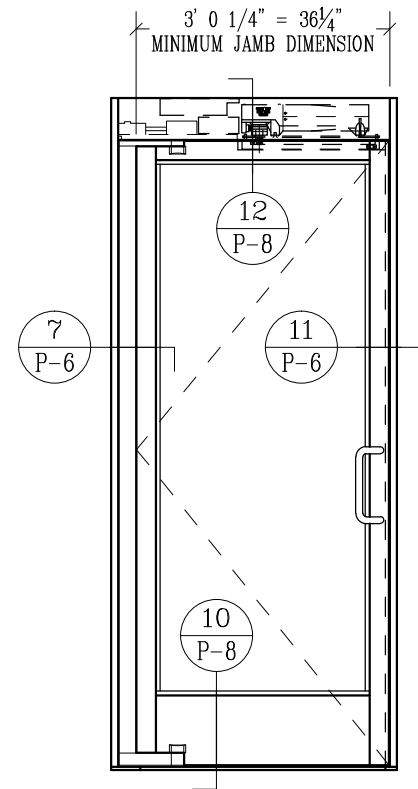
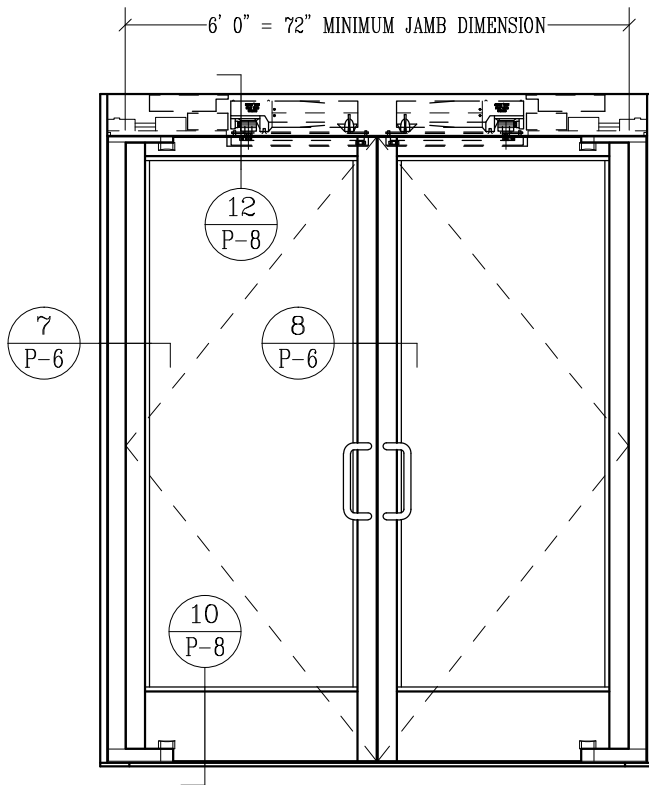
**9. Further information:** Refer to specifications following, miscellaneous items section M, curtainwall applications section L, or consult the factory.

**Exposed Shafts / Stanley "Power Now" (P-2)**

INTERIOR

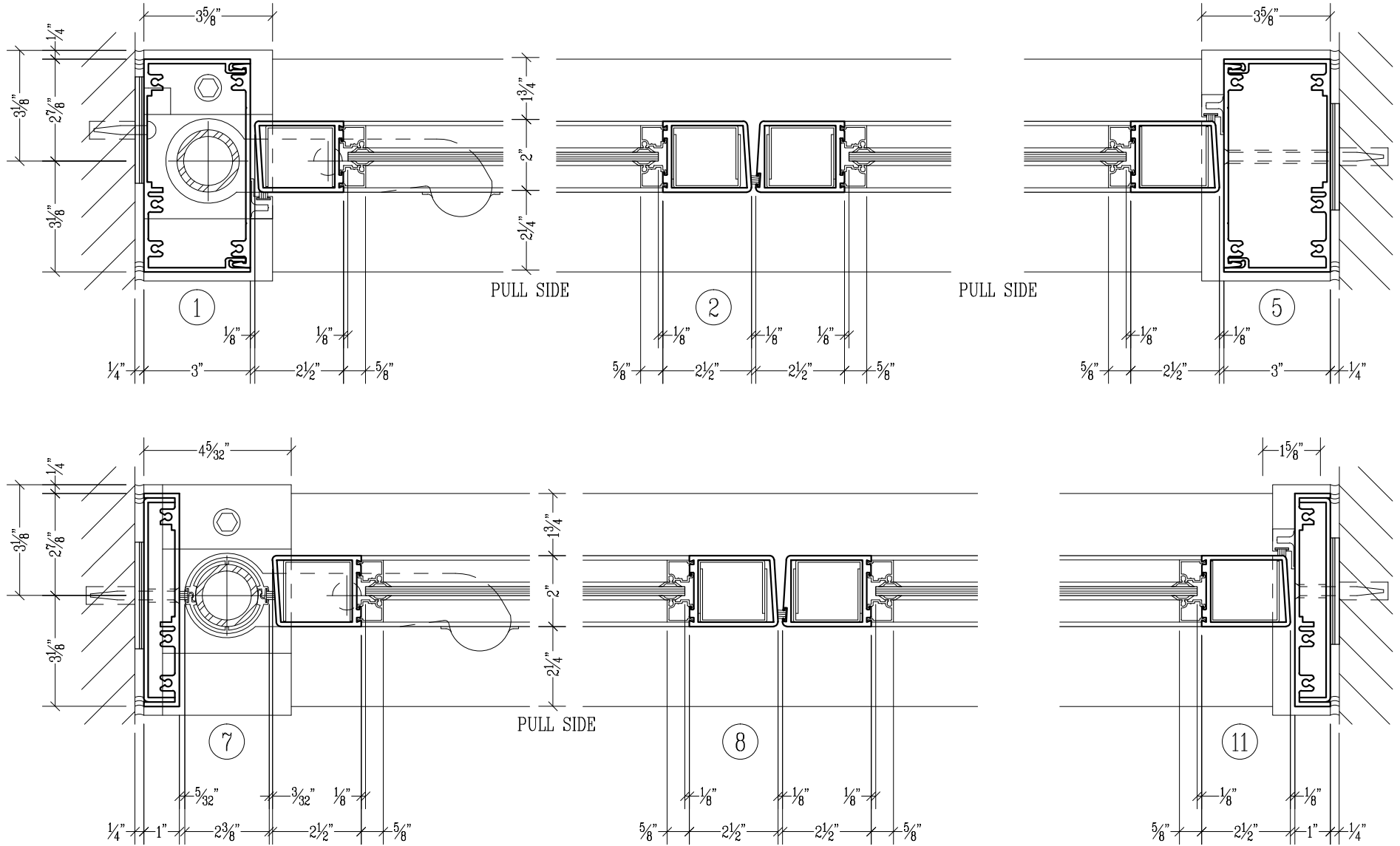


EXTERIOR  
(Pull Side)

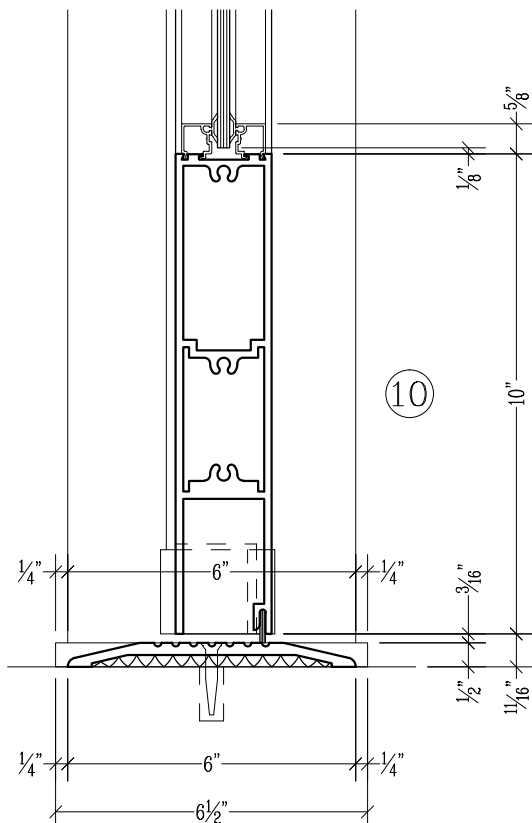
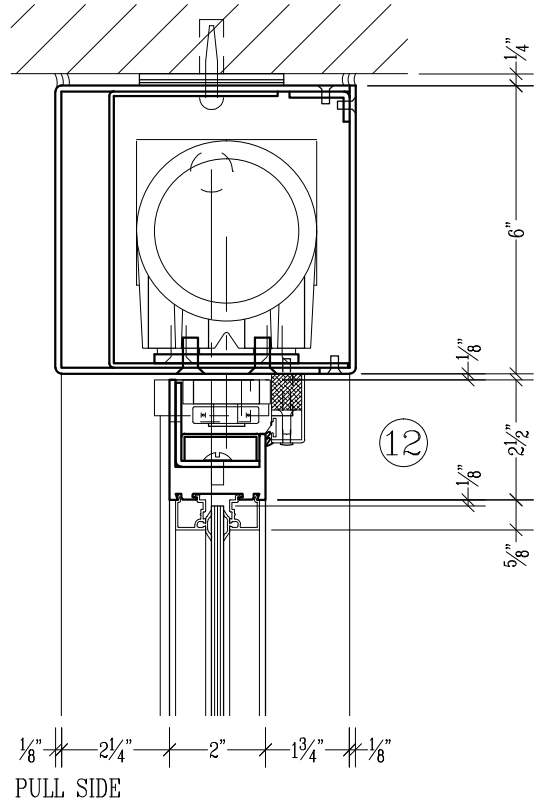
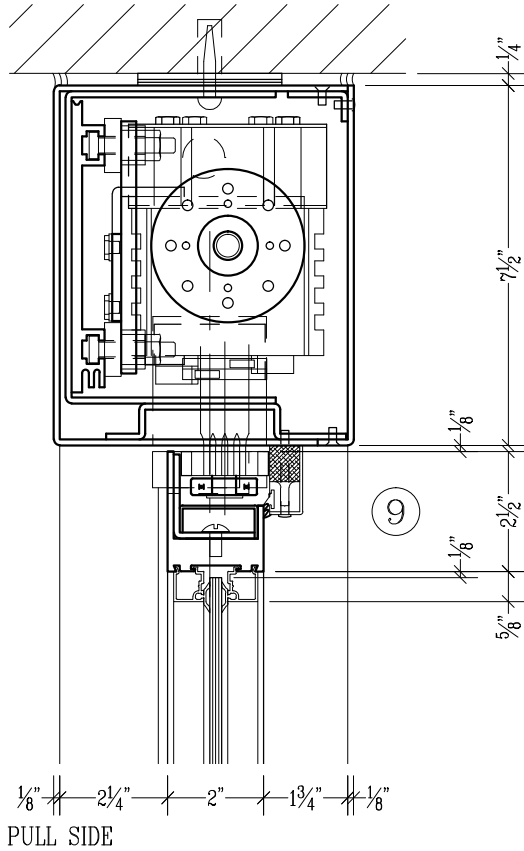


SHOWN WITH STANLEY POWER OPERATORS

"Power Now" (P-1 & 2)



**Exposed Shafts / "Power Now" (P-2)**



Note: Side load type power operator configurations shown at details 9 & 12 (consult factory for optional bottom load configuration if required for recessed header applications)

SCALE: 1/4" = 1"