

**GENERAL DRAWING NOTES:**

**1. Material:**

- a. Extruded aluminum alloy 6063-T6 with a minimum wall thickness of 1/8".

**2. Finishes:**

- a. Available in anodized, kynar painted and powder coat paint finishes.

**3. Doors:**

- a. Standard door thickness is 2" nominal.
- b. Available stile width: 1".
- c. Available top rail heights: 4 3/4".
- d. Available bottom rail heights: 4 3/4" and 10" (10" recommended to comply with 2004 ADA guidelines).

**4. Frames:**

- a. See details following for 3" x 6" profile.
- b. Optional 3" x 5" Profile available (the 1" reduction is taken off the pull side), see details 1A, 7A, 12A & 17A on Page 10.
- c. Optional 1 1/8" x 6" (or 5") nominal Profile header available, see detail 28B on Page 12.

Note: mortise is required at surrounding material for balanced hardware.

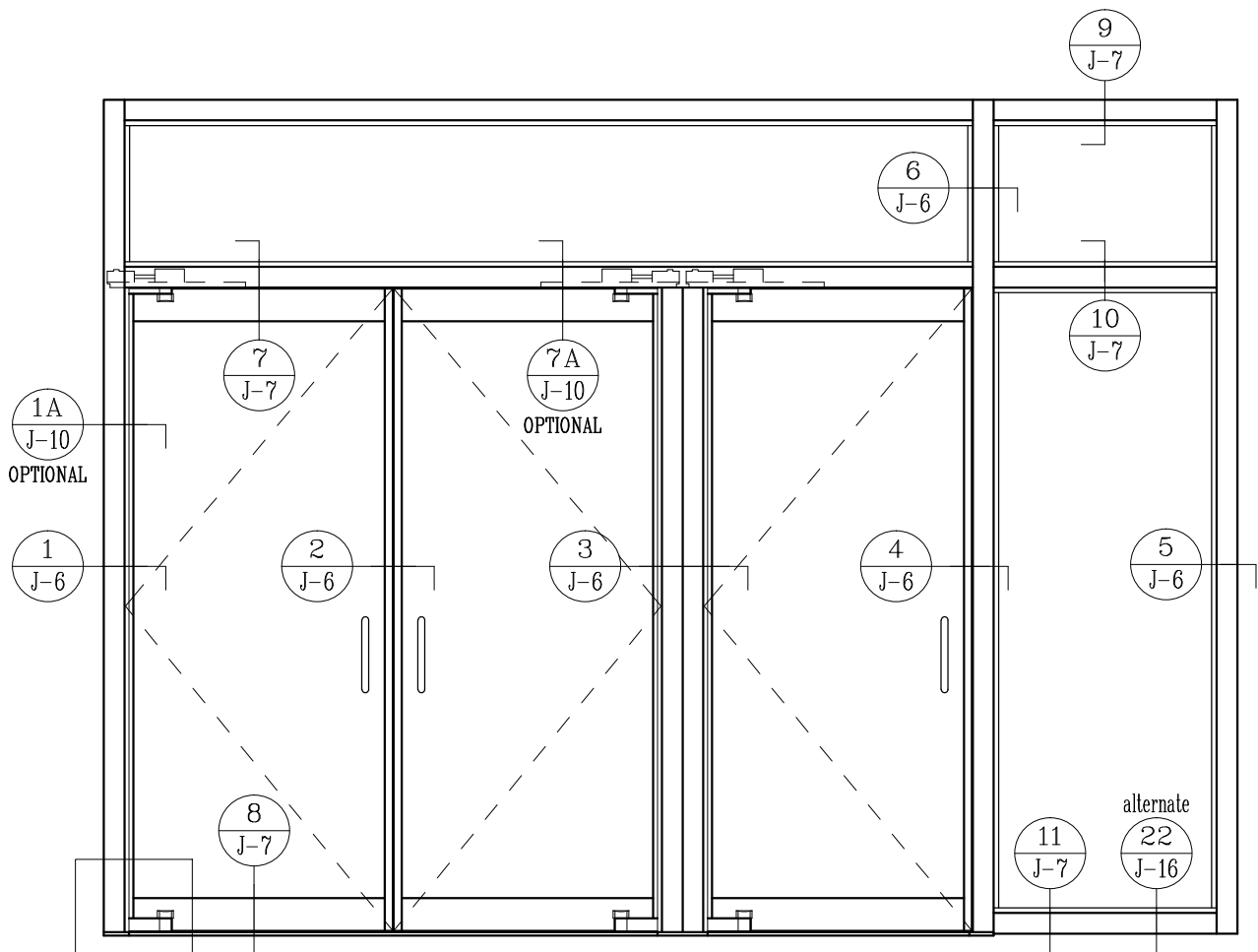
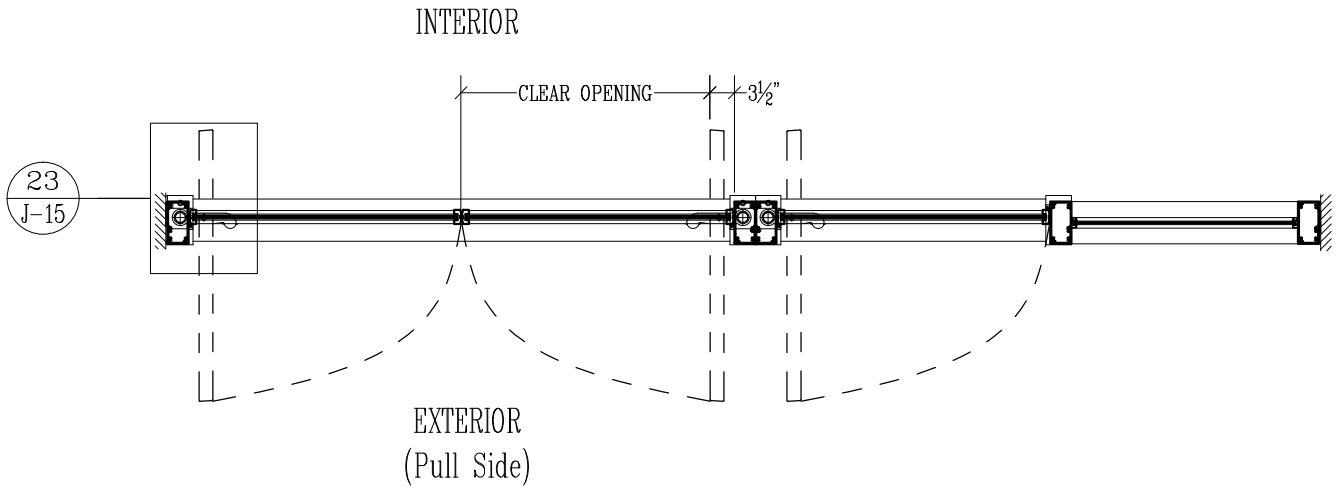
- d. Glass thickness may vary as desired. See details on page 14.
- e. Glass location may vary as desired. See detail 4 on page 6, and 16 on page 8.\*
- f. For multi-light/true divided light construction (J-2), intermediate vertical and horizontal muntins (1/2" x 2" minimum) see details 15 on page 8 and 20 on page 9.

**5. Threshold and floorbox types:** see details on pages 16 & 18.

**6. Door in open position and door projection:** see detail 23 on page 15 and detail 34 on page 17.

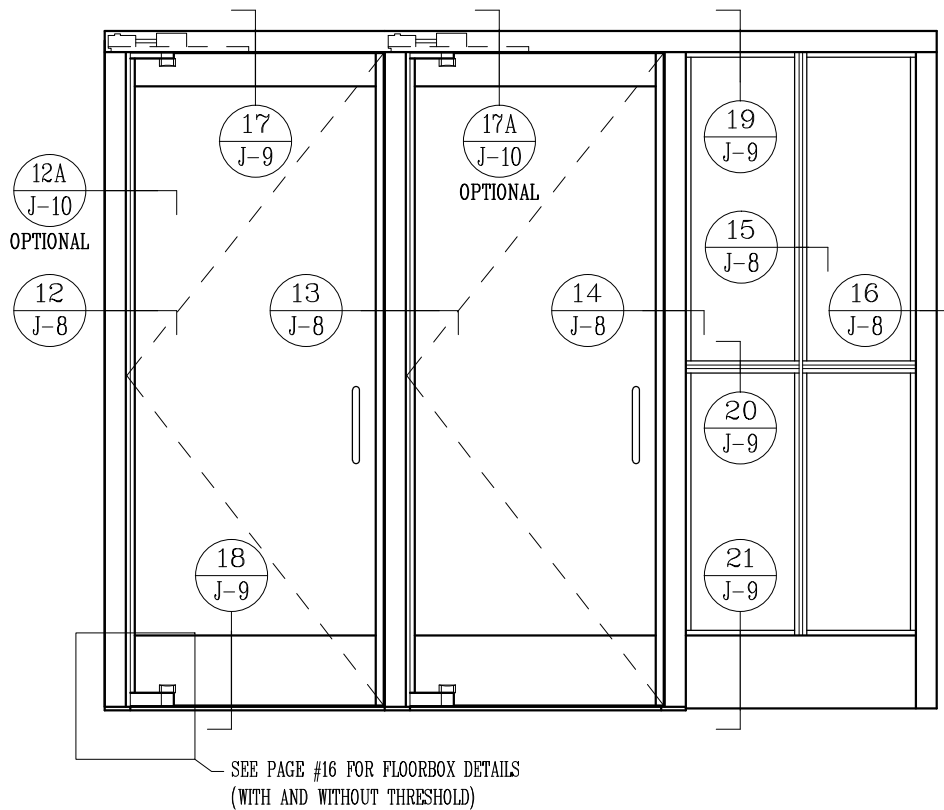
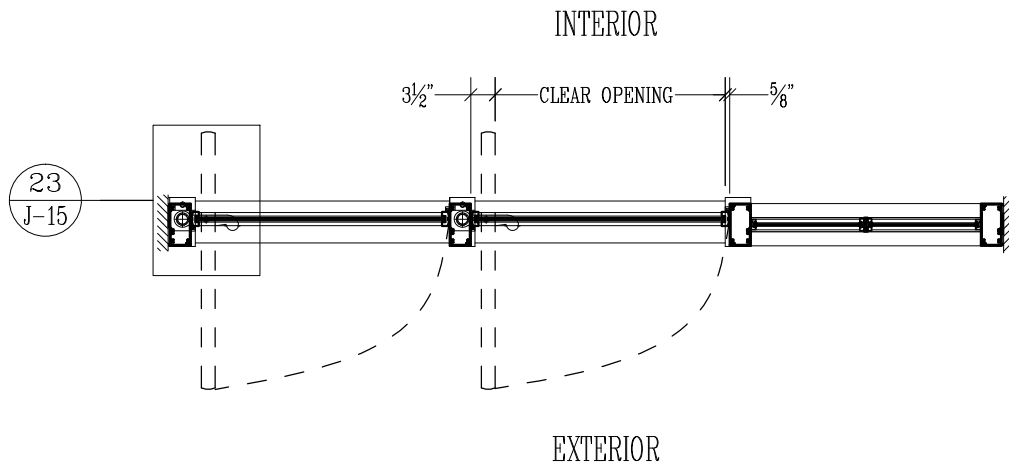
**7. Further information:** Refer to specifications following, miscellaneous items section M, curtainwall applications section L, or consult the factory.

**Concealed Shafts / Framed Sidelight and Transom (J-1)**

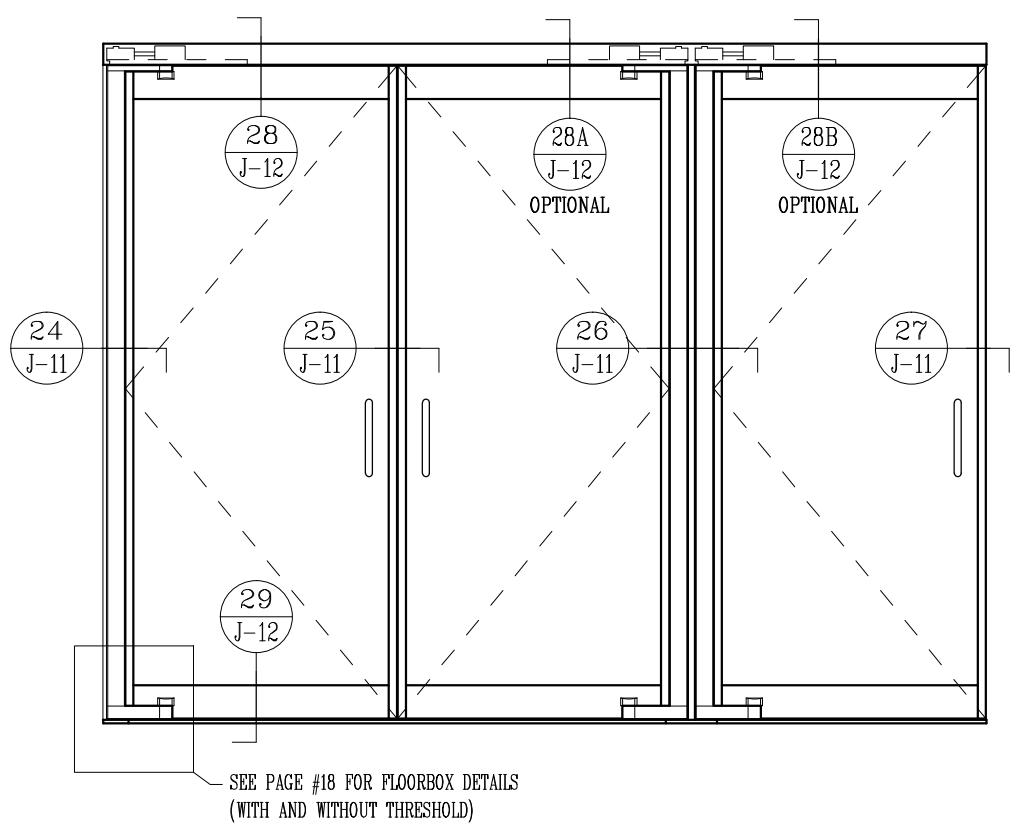
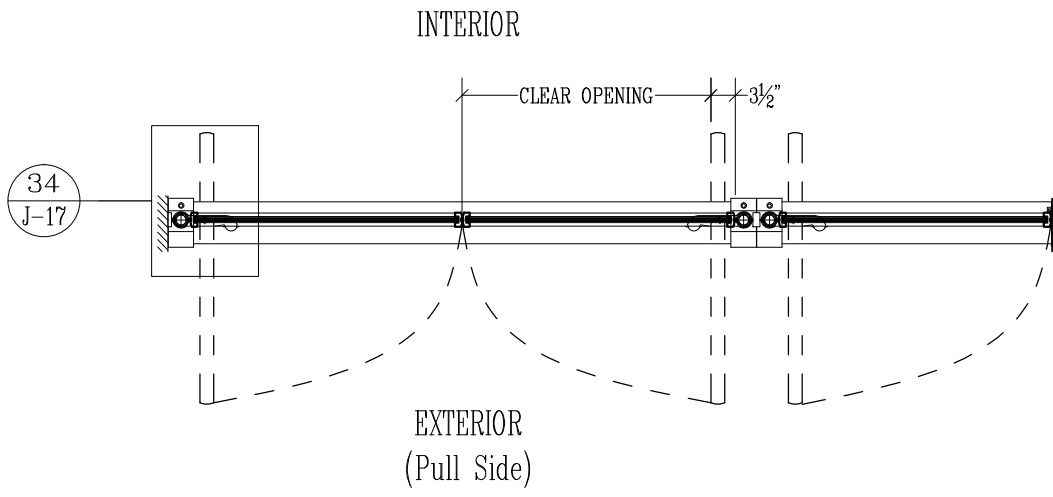


SEE PAGE #16 FOR FLOORBOX DETAILS  
(WITH AND WITHOUT THRESHOLD)

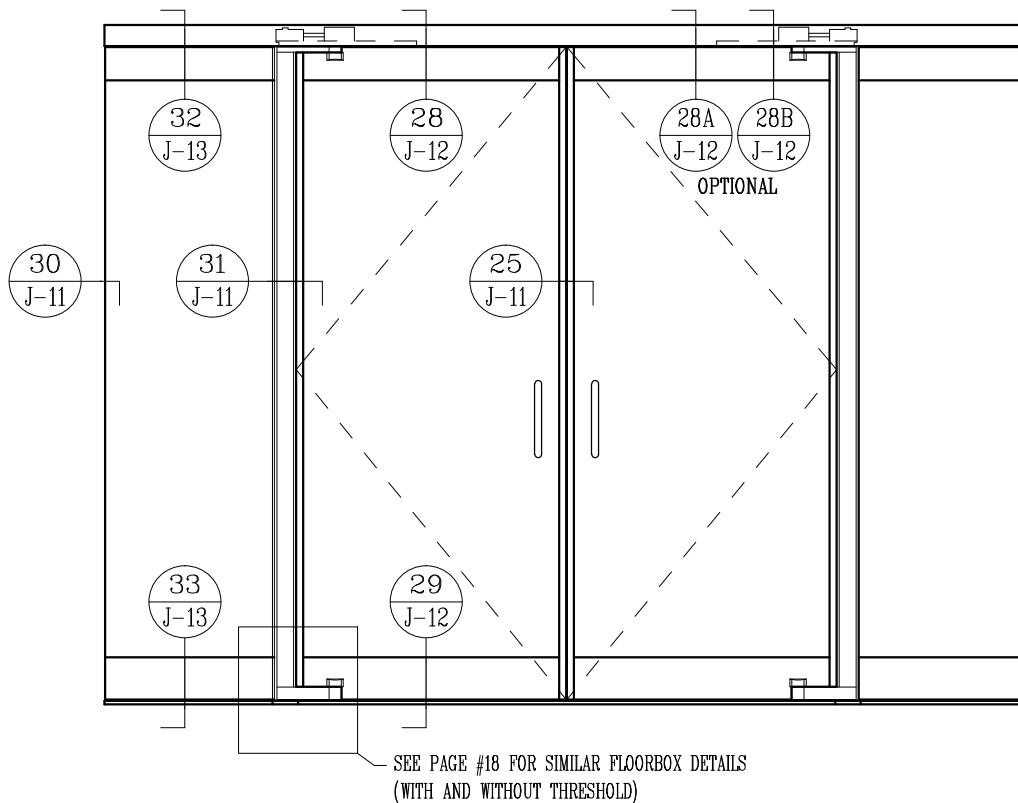
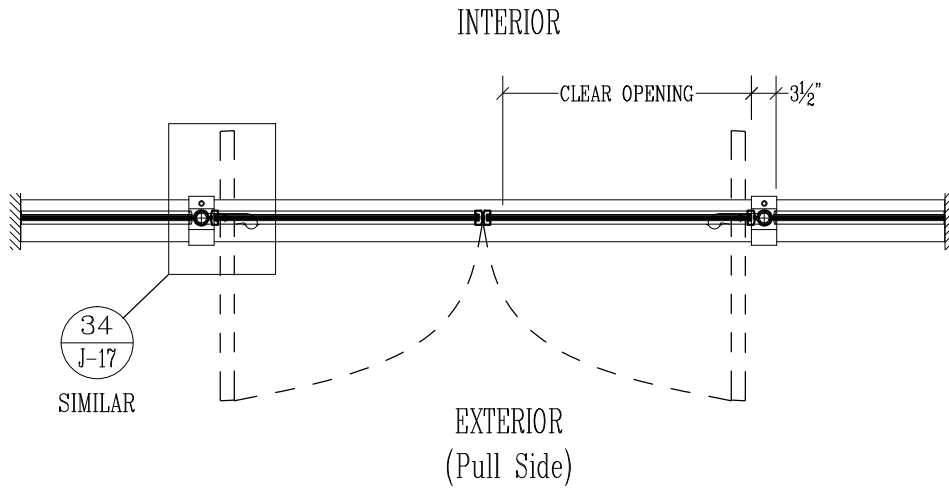
**Concealed Shafts / Framed Multi-Light Sidelight (J-2)**



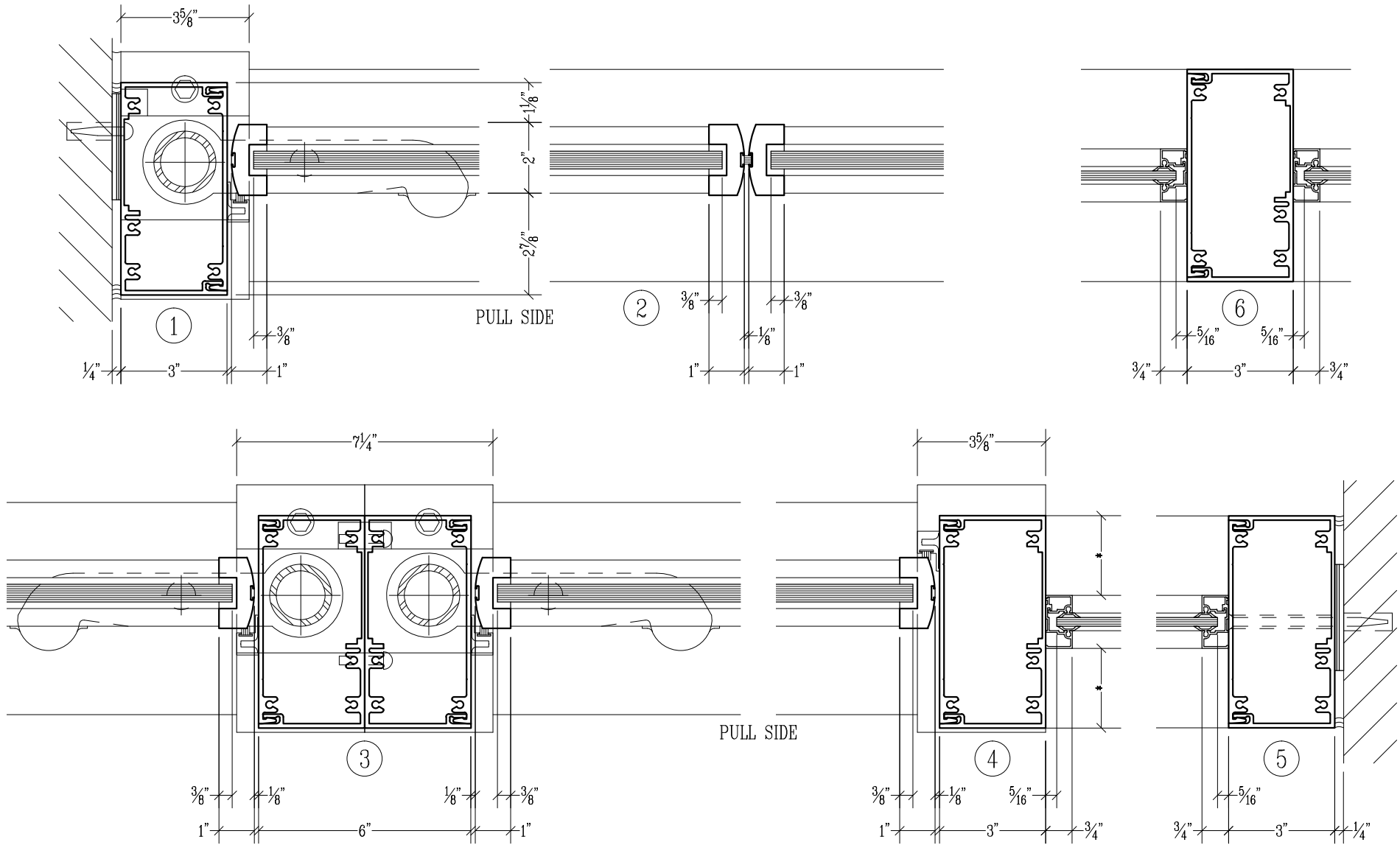
**Exposed Shafts / Header (J-3)**



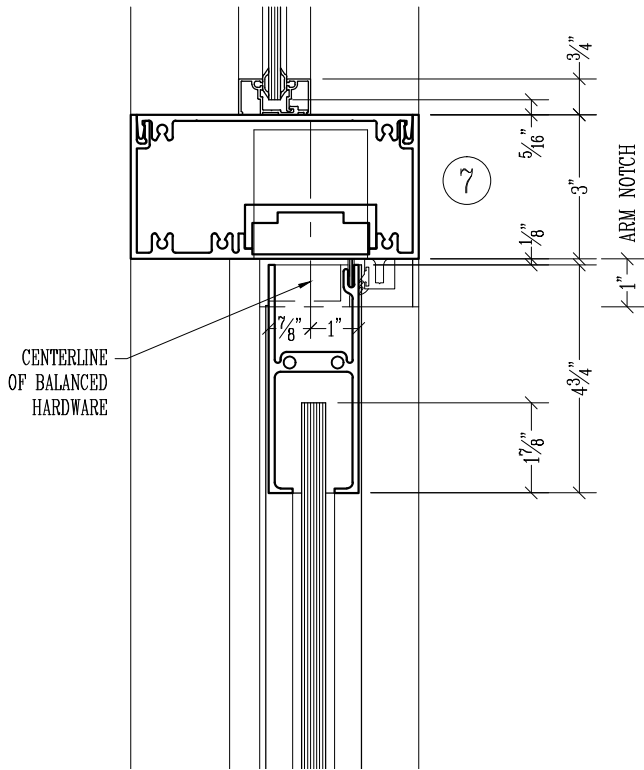
**Exposed Shafts / Header / Tempered Glass Sidelights (J-4)**



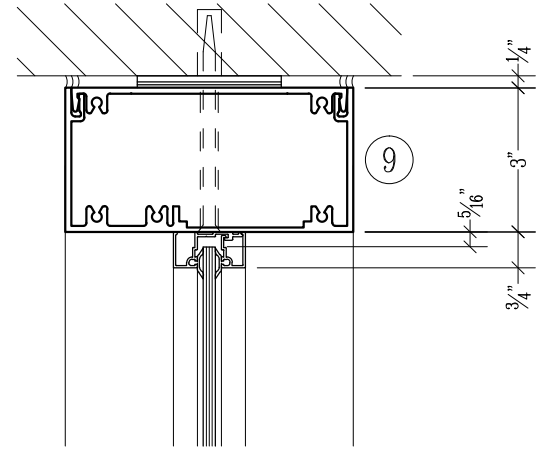
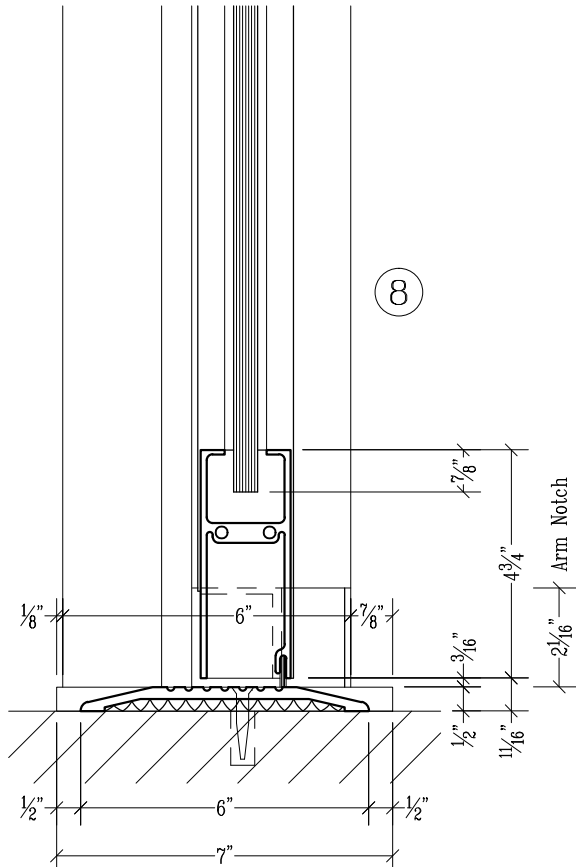
**Concealed Shafts / Framed Sidelight and Transom (J-1)**



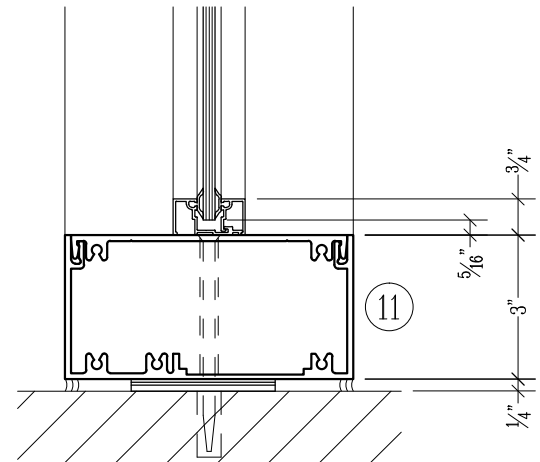
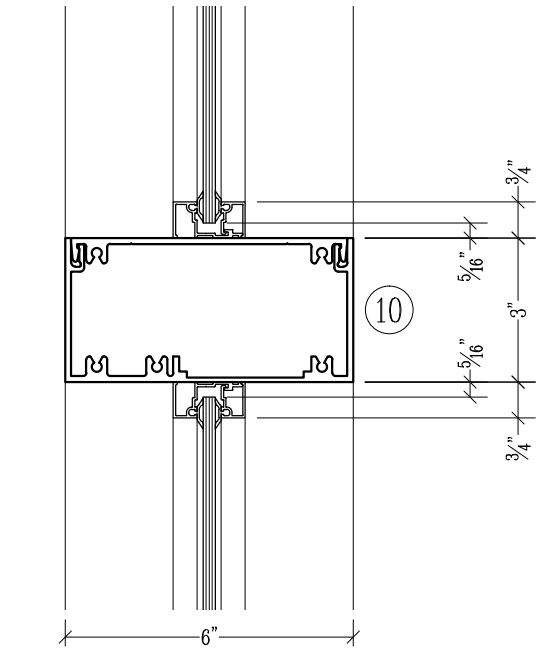
Concealed Shafts / Framed Sidelight and Transom (J-1)



PULL SIDE

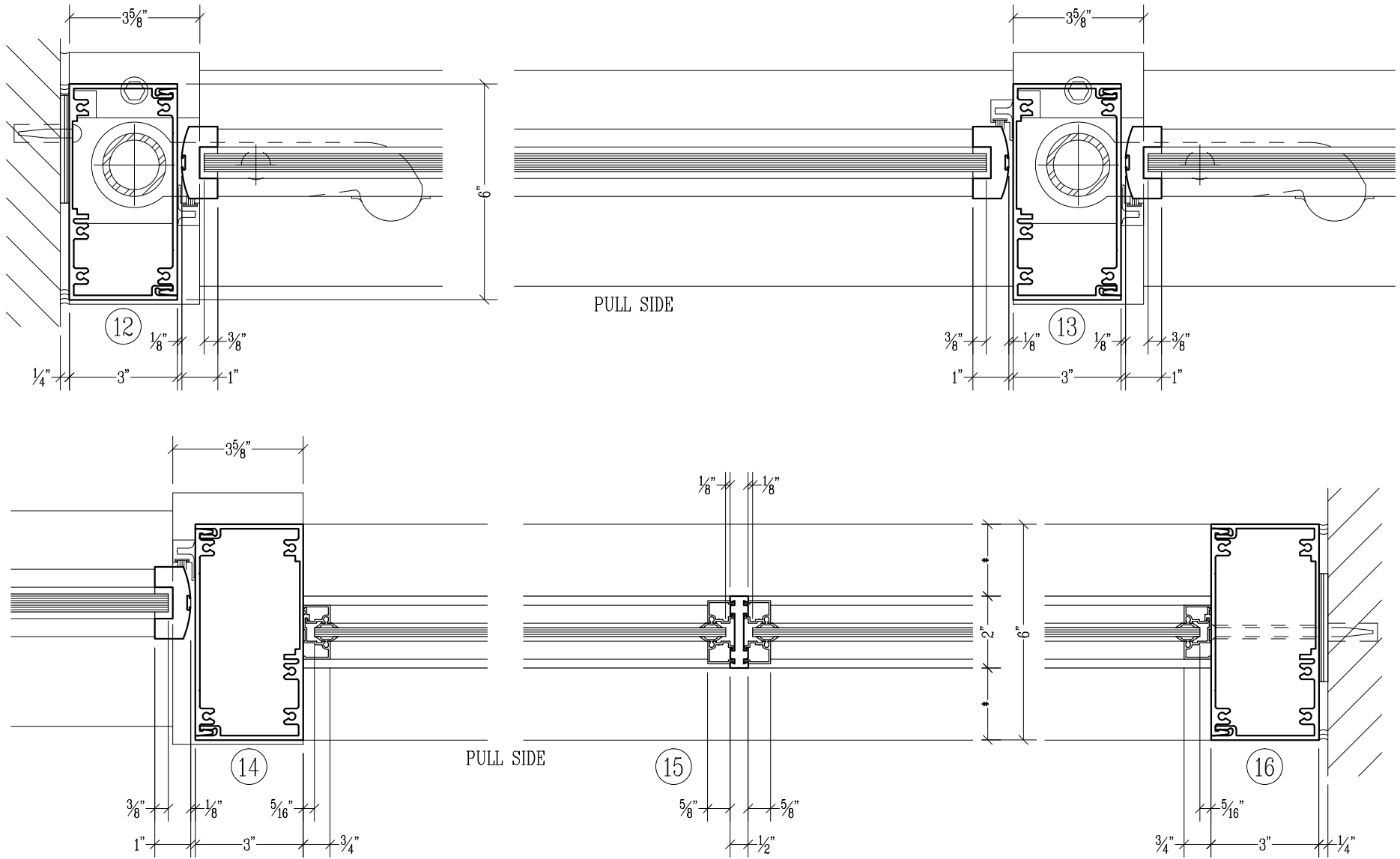


PULL SIDE



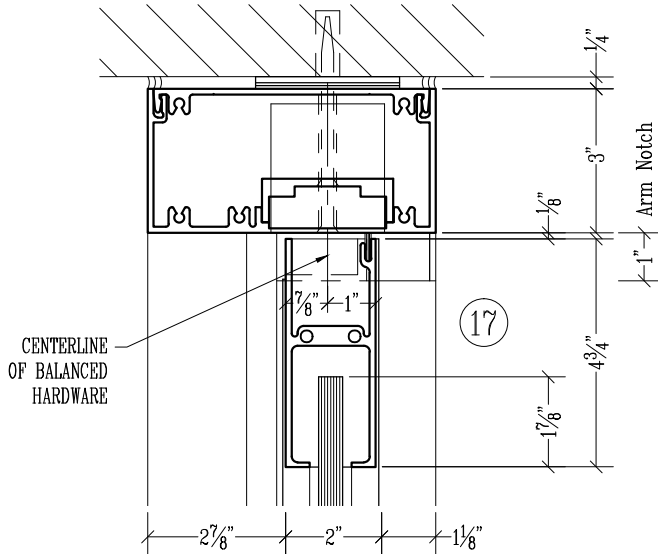
SCALE:  $\frac{1}{4}" = 1"$

**Concealed Shafts / Framed Multi-Light Sidelight (J-2)**

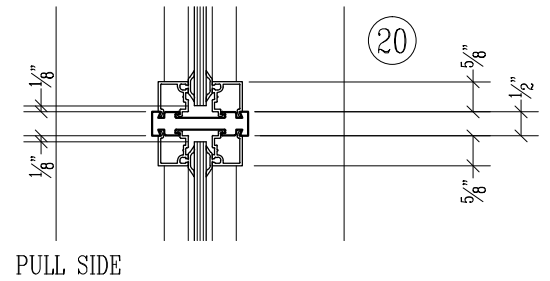
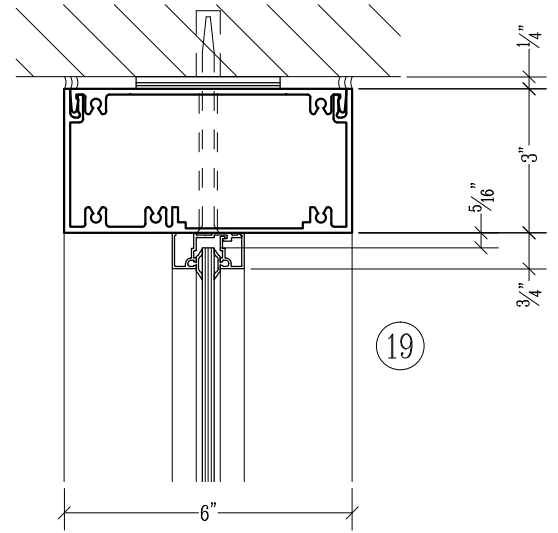
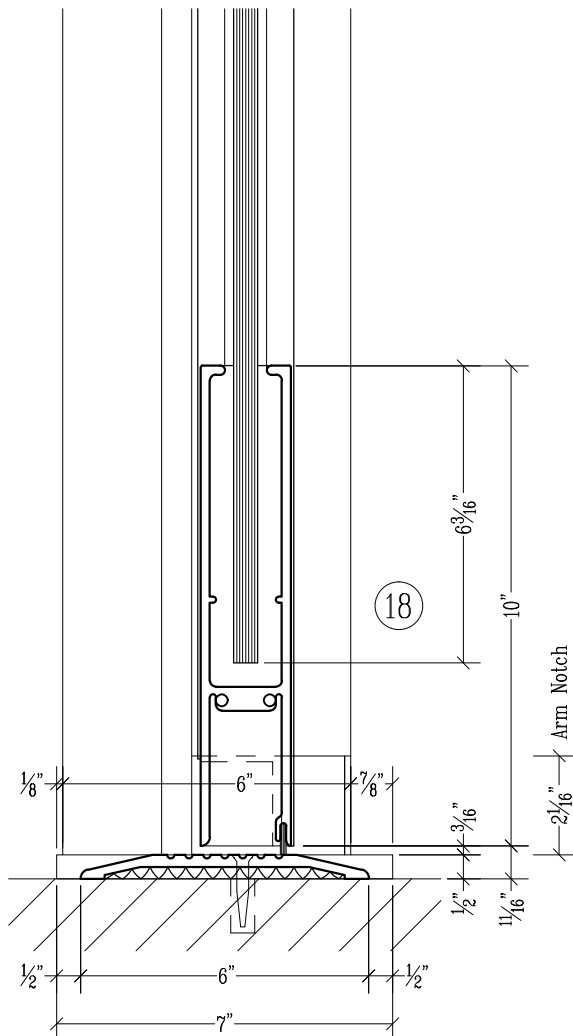




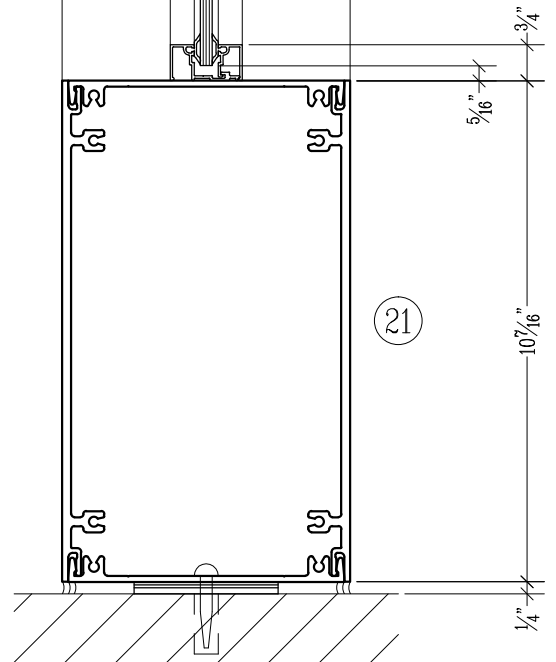
**Concealed Shafts / Framed Multi-Light Sidelight (J-2)**



PULL SIDE

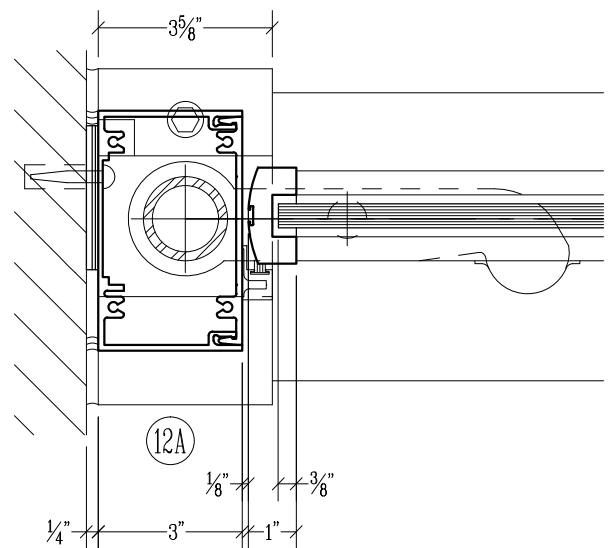
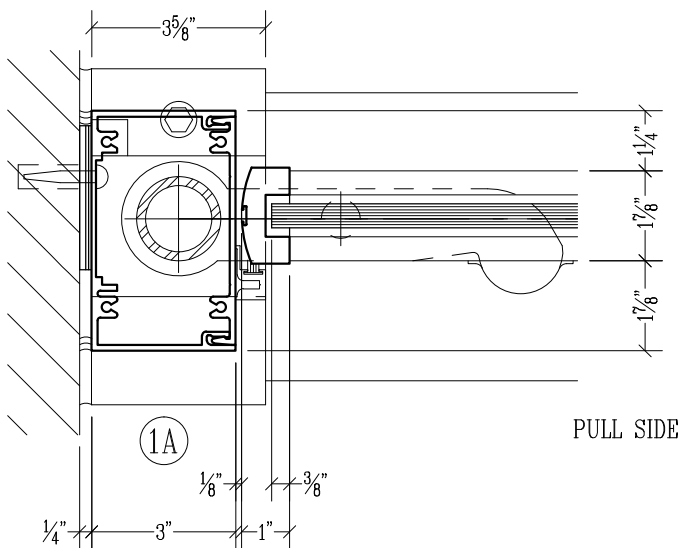
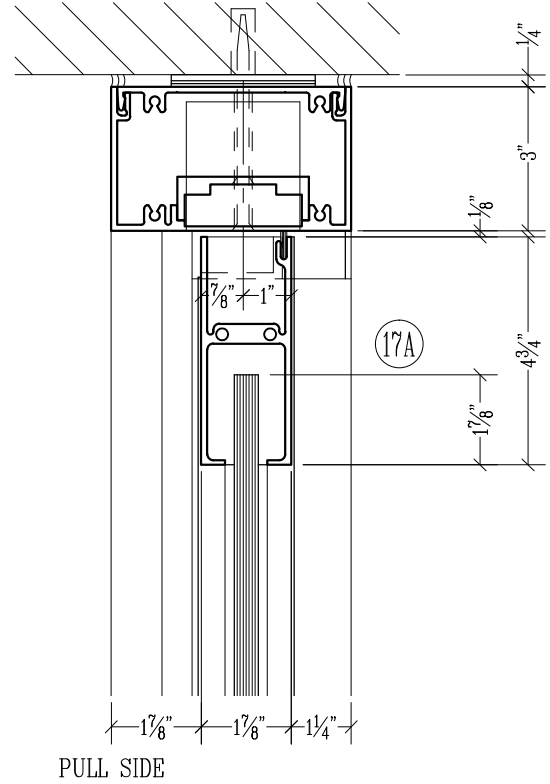
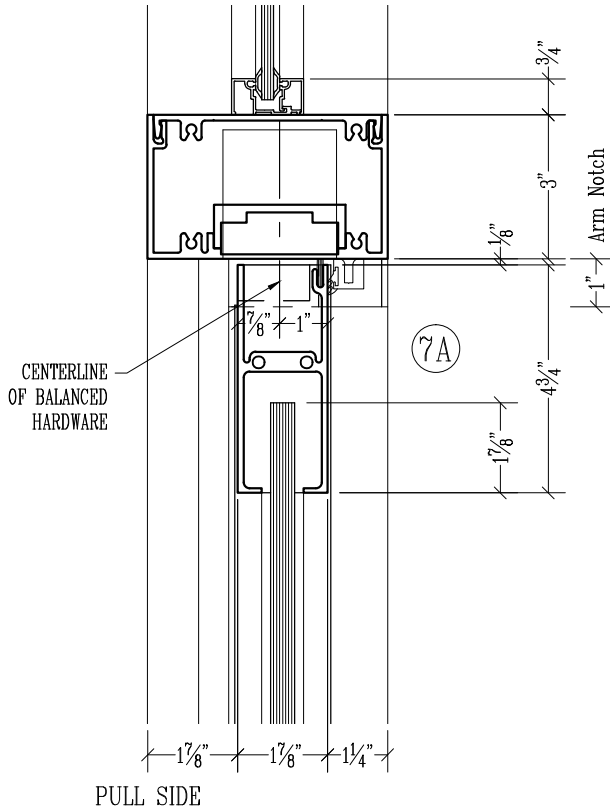


PULL SIDE



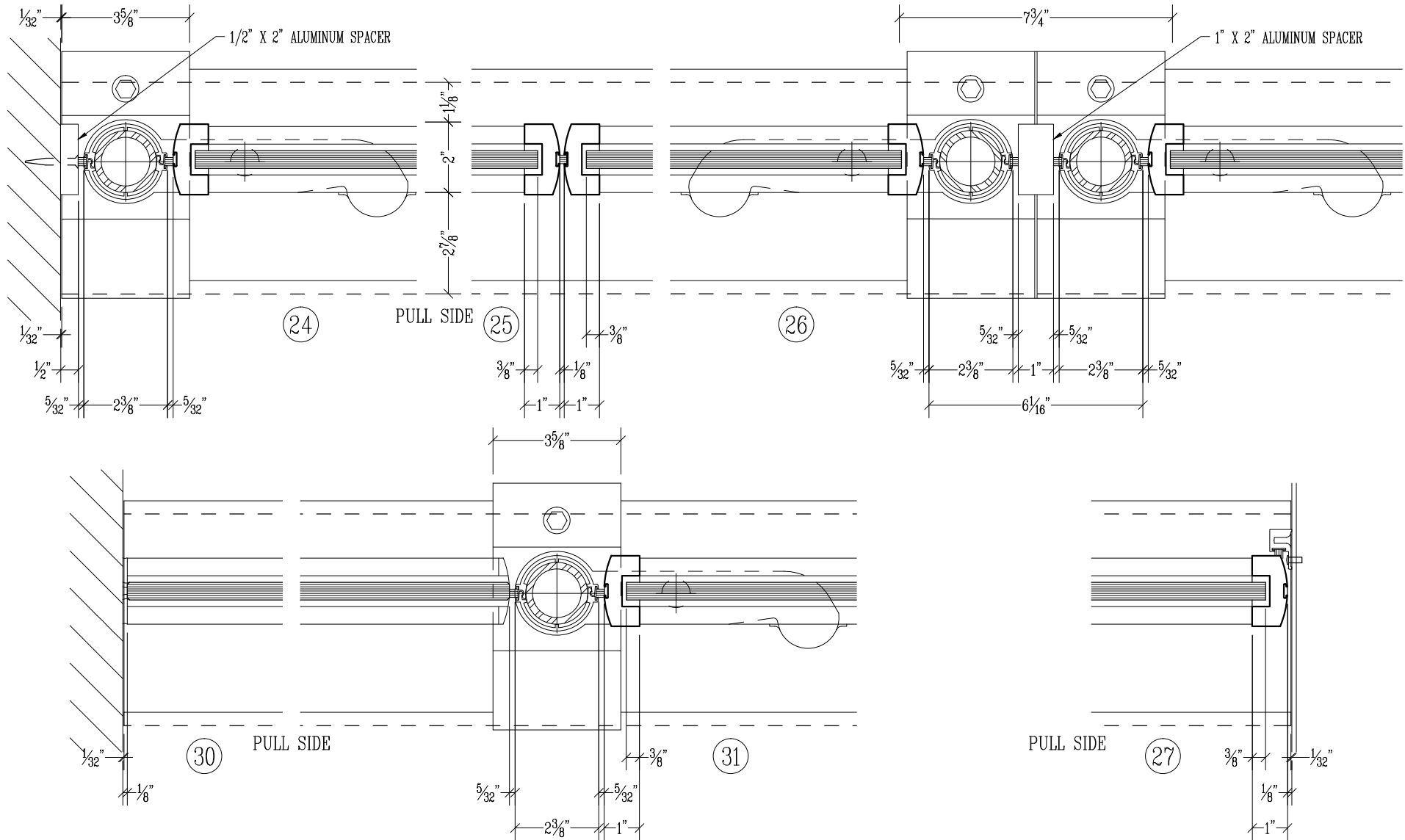
SCALE: 1/4" = 1"

Concealed Shafts / Optional 5" Deep Framing (J-1 & 2)

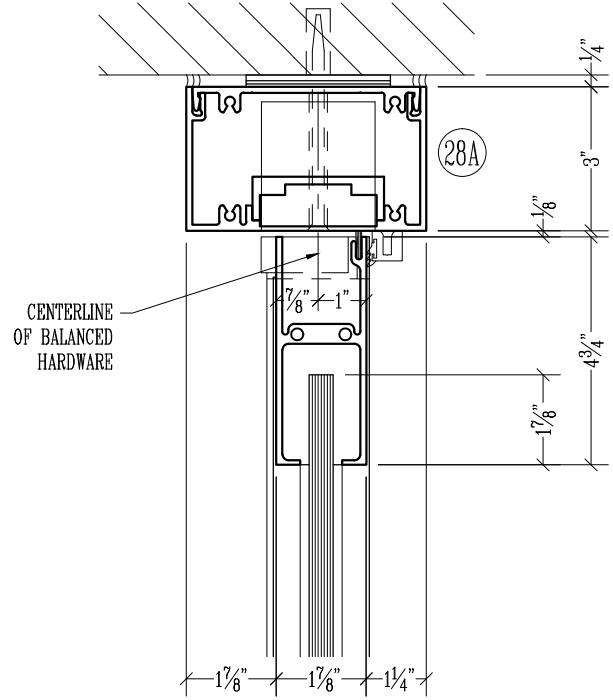
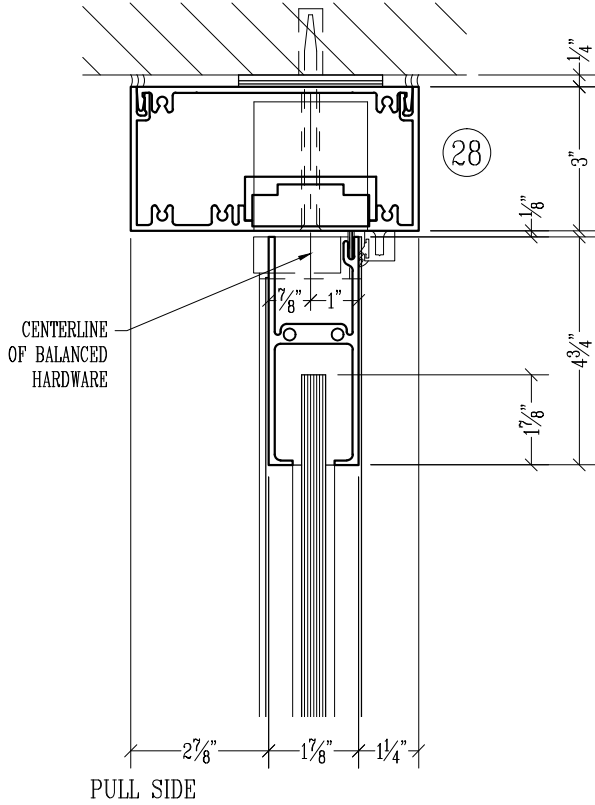


SCALE: 1/4" = 1"

**Exposed Shafts / Header (J-3 & 4)**

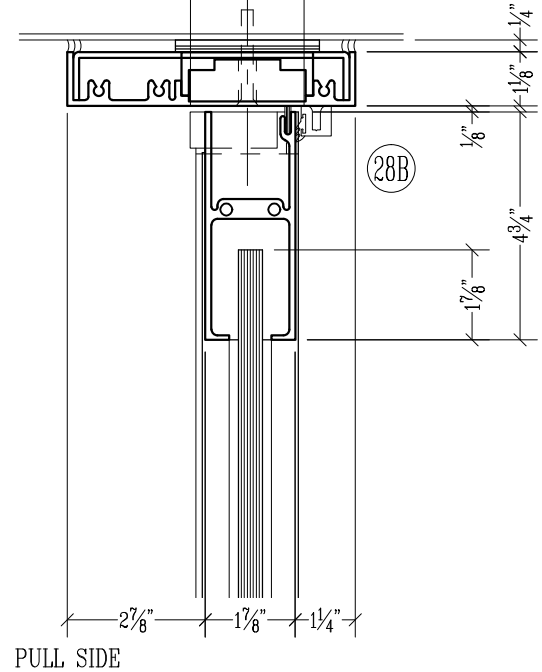


Exposed Shafts / Optional Header Framing (J-3 & 4)

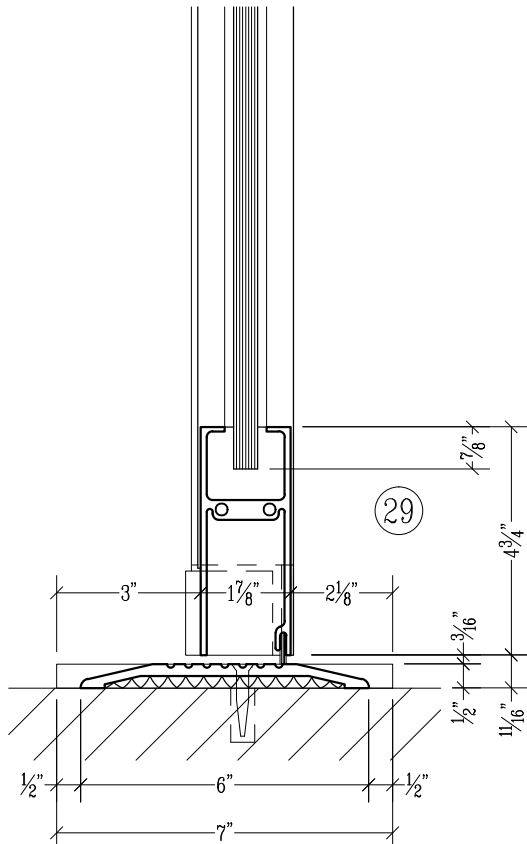


MORTISE REQUIRED FOR  
BALANCED HARDWARE  
AT HEAD

PULL SIDE

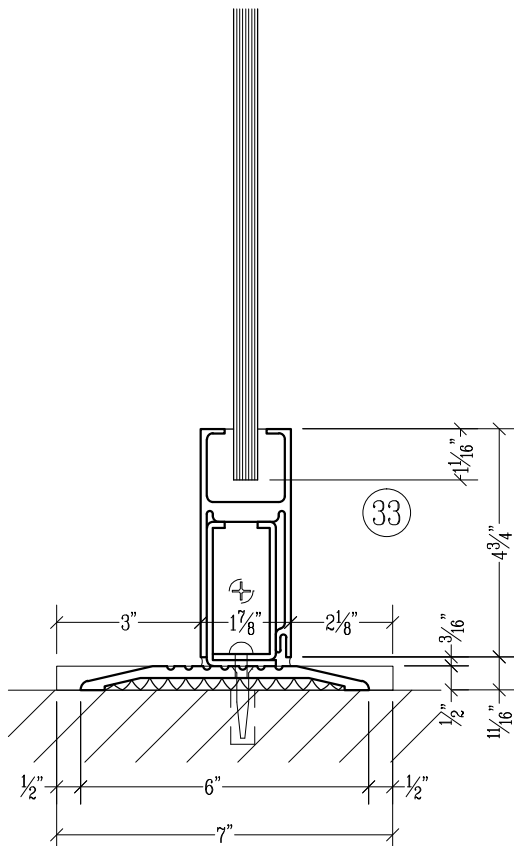
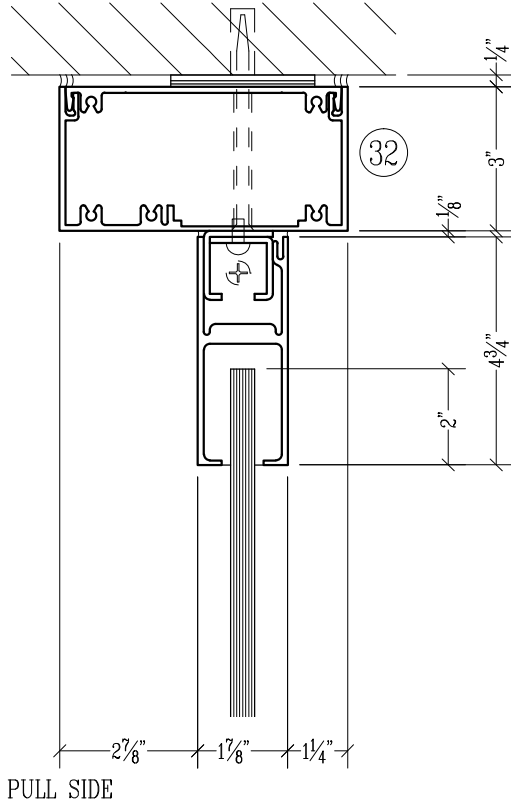


PULL SIDE



SCALE: 1/4" = 1"

Exposed Shafts / Header / Tempered Glass Sidelights (J-4)

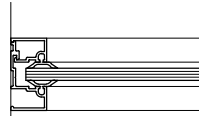


SCALE: 1/4" = 1"

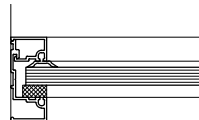
**EXTRUDED ALUMINUM GLASS STOPS FOR FRAMES.**  
(consult factory for special glass thickness)

**(J-1 & 2)**

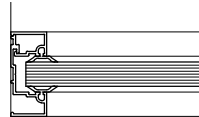
**Frame Glass**  
(Applied Stops)



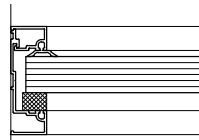
1/4" Thick Glass



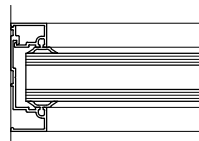
3/8" Thick Glass



1/2" Thick Glass



3/4" Thick Glass



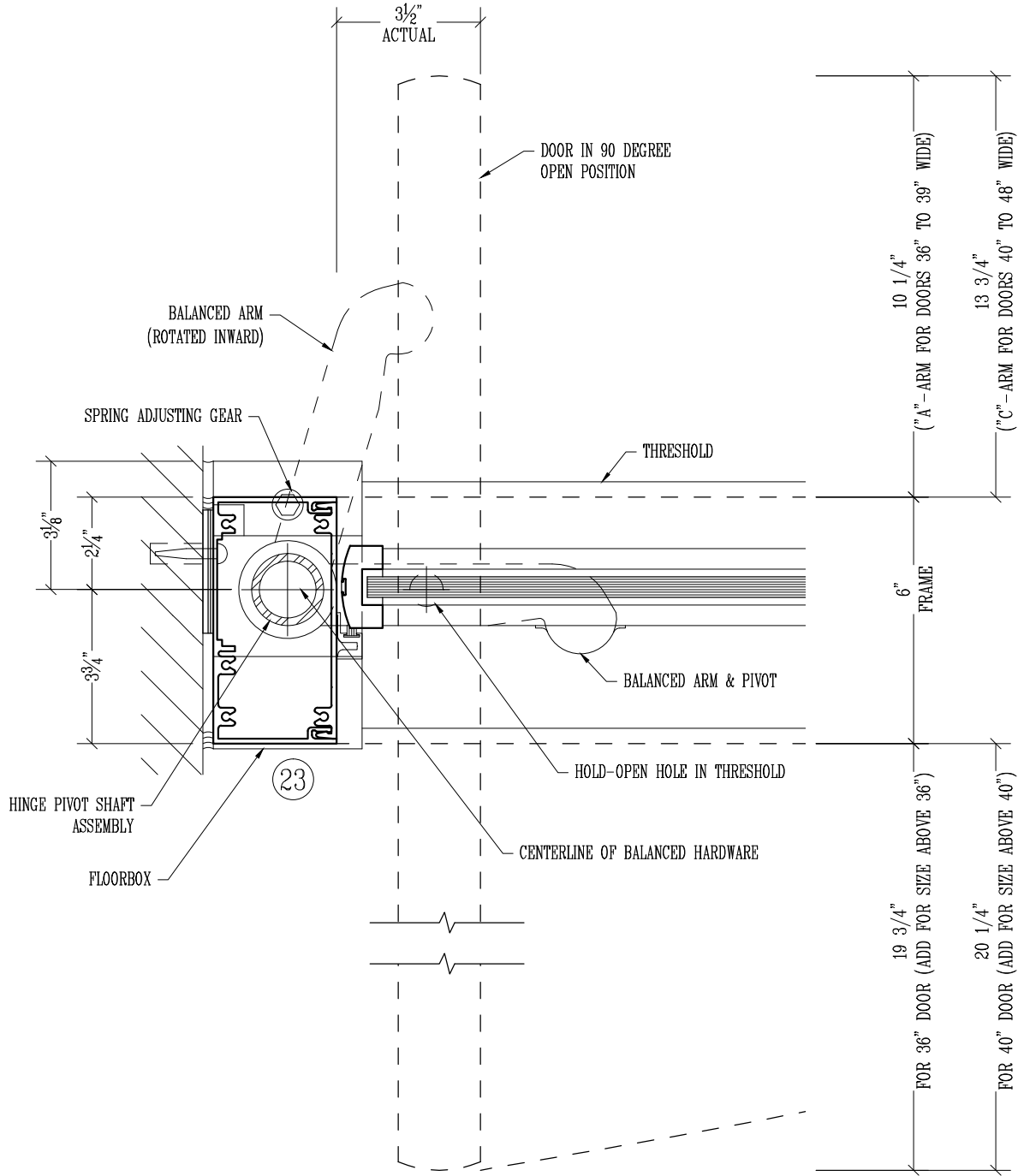
1" Thick Insulated Glass

SCALE: 1/4" = 1"

**Concealed Shafts (J-1 & 2)**

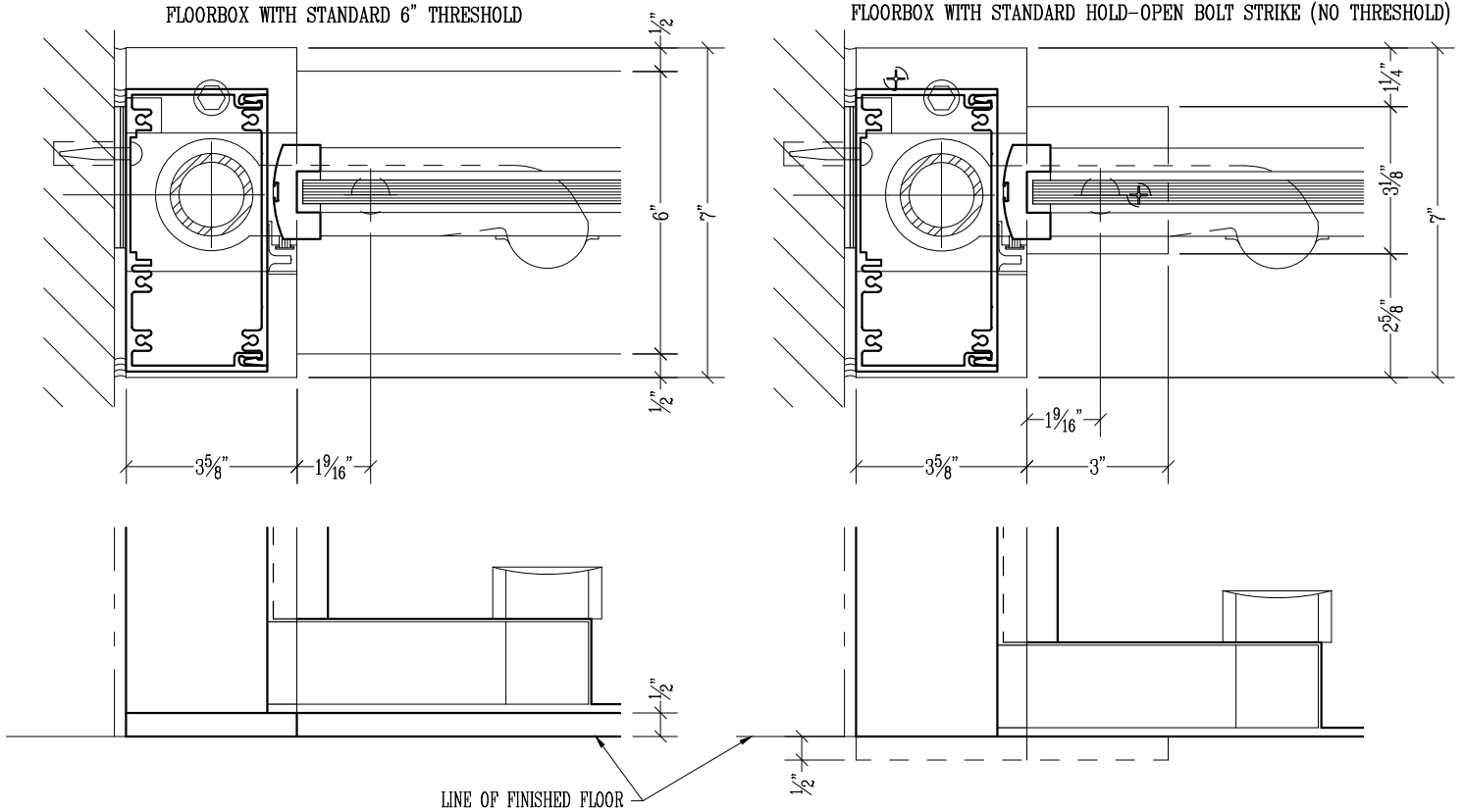
NOTES:

1. Balanced hardware arm and door shown dotted, in the open position ("A" arm size shown).



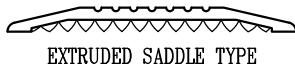
**Concealed Shafts (J-1 & 2)**

TYPICAL FLOORBOX LAYOUT AT HINGE JAMB.



AVAILABLE THRESHOLD OPTIONS:

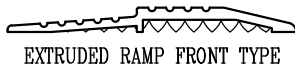
1. 1/2" x 6" Extruded thresholds are available in Aluminum (A), Bronze (B) and Nickel Silver (NS).
2. 1/2" x 6" Formed-up stainless steel or bronze saddle type threshold shown (formed-up type can be made in different sizes & profiles consult factory).



EXTRUDED SADDLE TYPE



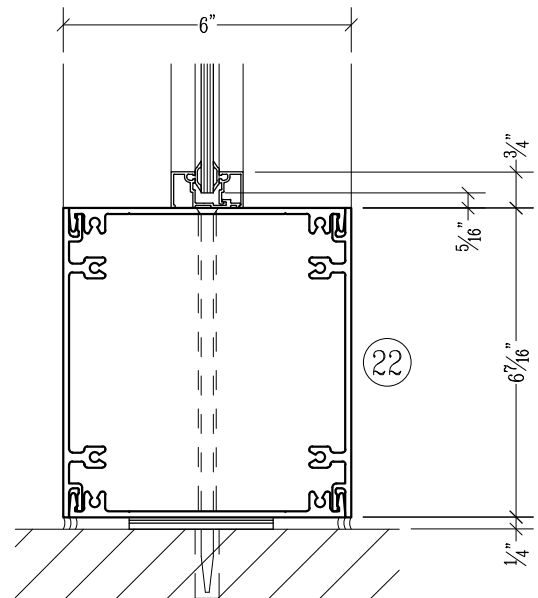
EXTRUDED SQUARE BACK TYPE



EXTRUDED RAMP FRONT TYPE



FORMED-UP SADDLE TYPE

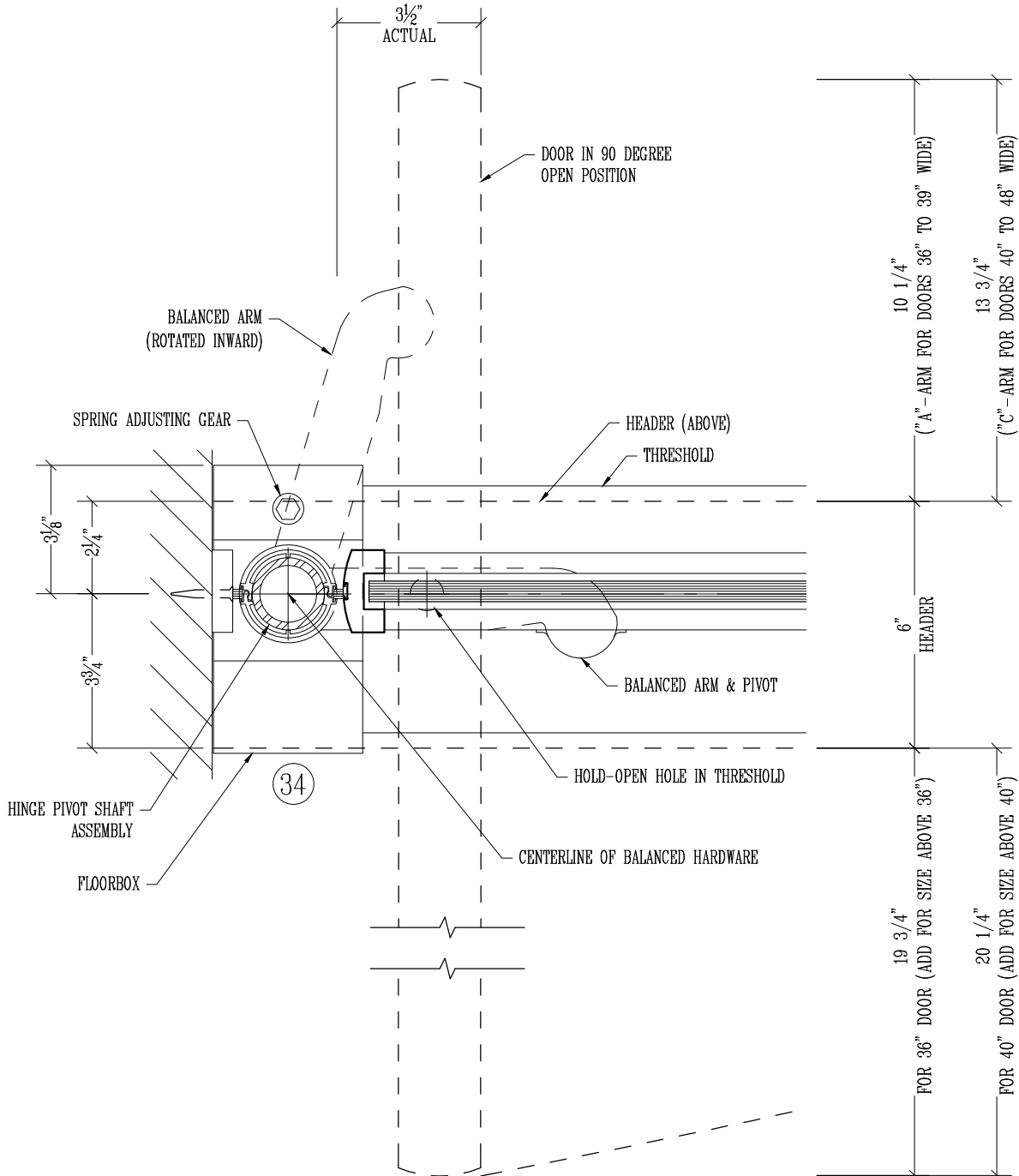




**Exposed Shafts (J-3 & 4)**

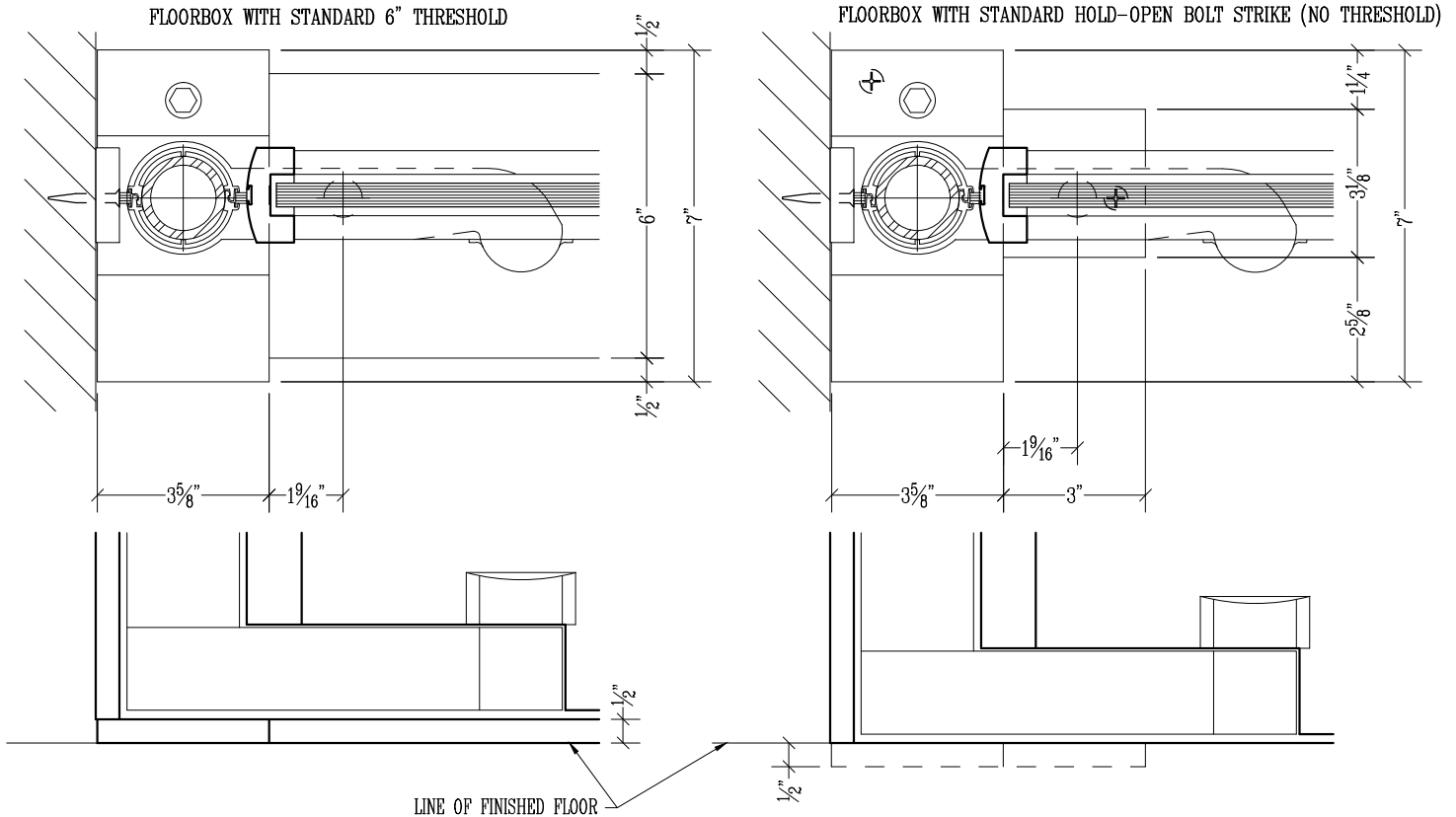
NOTES:

1. Balanced hardware arm and door shown dotted, in the open position ("A" arm size shown).



**Exposed Shafts (J-3 & 4)**

TYPICAL FLOORBOX LAYOUT AT HINGE JAMB.



AVAILABLE THRESHOLD OPTIONS:

- 1/2" x 6" Extruded thresholds are available in Aluminum (A), Bronze (B) and Nickel Silver (NS).
- 1/2" x 6" Formed-up stainless steel or bronze saddle type threshold shown (formed-up type can be made in different sizes & profiles consult factory).

