

Formed-up Stainless Steel Framing (K-1)

GENERAL DRAWING NOTES:

A. Doors (Wood):

1. Material and Finish:

- a. Wood doors are available in American Black Walnut, Teak, American Black Cherry, Rift White Oak, Red Oak, Plain Sawn Mahogany. Consult the factory for other wood species
- b. Doors to receive a final factory applied natural medium gloss finish.
- c. Door thickness: 2 3/8" minimum to 3" maximum.
- d. Available stile widths: 3" minimum.
- e. Available top rail heights: 3" minimum.
- f. Available bottom rail heights: 6" minimum (10" recommended to comply with ADA guidelines).
- g. Glass stops (if desired) to be permanently fixed on exterior side and screw/nail attached on the interior side. Consult factory for glass stop configurations.

B. Frames (Stainless Steel):

2. Material and Finish:

- a. Standard for Stainless Steel is Alloy Number 304 with a minimum wall thickness of 3/32" (.09").
- b. Optional for Stainless Steel is Alloy Number 316 (more corrosion resistant), with a minimum wall thickness of 3/32" (.09").
- c. Formed-up framing available in Polished, #4 Satin, #6 Satin, Non-Directional (Jitterbug) and Bead Blasted finishes.
- d. See details following on pages 7 and 8, for 3" x 6" nominal profile and optional 3" x 5" nominal profile.
- e. Refer to sections A-1 and A-2 for framed sidelight and transom configurations with applied glass stop configuration.
- f. Refer to section A-2 for multi-light/true divided construction.
- g. Refer to section A-3 for framed sidelight and transom configurations with flush glazed stop configuration.
- h. Refer to section A-4 for optional exposed clad shaft details.

3. Threshold and floorbox types: Refer to section A pages 17 & 19 for details.

4. Door in open position/door projection: Refer to section A pages 16 & 18 for details.

5. Grilles: available, consult factory.

Formed-up Bronze Framing (K-2)

GENERAL DRAWING NOTES:

A. Doors (Wood):

1. Material and Finish:

- a. Wood doors are available in American Black Walnut, Teak, American Black Cherry, Rift White Oak, Red Oak, Plain Sawn Mahogany. Consult the factory for other wood species
- b. Doors to receive a final factory applied natural medium gloss finish.
- c. Door thickness: 2 3/8" minimum to 3" maximum.
- d. Available stile widths: 3" minimum.
- e. Available top rail heights: 3" minimum.
- f. Available bottom rail heights: 6" minimum (10" recommended to comply with ADA guidelines).
- g. Glass stops (if desired) to be permanently fixed on exterior side and screw/nail attached on the interior side. Consult factory for glass stop configurations.

B. Frames (Bronze):

2. Material and Finish:

- a. Muntz metal alloy number 280 or naval brass alloy number 464, with a minimum wall thickness of 3/32" (.09").
- b. Formed-up framing available in polished, #4 satin, #6 satin, non-directional (Jitterbug) and bead blasted finishes.
- c. See details following on pages 7 and 8, for 3" x 6" nominal profile and optional 3" x 5" nominal profile.
- d. Refer to sections B-1 and B-2 for framed sidelight and transom configurations with applied glass stop configuration.
- e. Refer to section B-2 for multi-light/true divided construction.
- f. Refer to section B-3 for framed sidelight and transom configurations with flush glazed stop configuration.
- g. Refer to section B-4 for optional exposed clad shaft details.

3. Threshold and floorbox types: Refer to section B pages 17 & 19 for details.

4. Door in open position/door projection: Refer to section B pages 16 & 18 for details.

5. Grilles: available, consult factory.

Extruded Aluminum Framing (K-3)

GENERAL DRAWING NOTES:

A. Doors (Wood):

1. Material and Finish:

- a. Wood doors are available in American Black Walnut, Teak, American Black Cherry, Rift White Oak, Red Oak, Plain Sawn Mahogany. Consult the factory for other wood species
- b. Doors to receive a final factory applied natural medium gloss finish.
- c. Door thickness: 2 3/8" minimum to 3" maximum.
- d. Available stile widths: 3" minimum.
- e. Available top rail heights: 3" minimum.
- f. Available bottom rail heights: 6" minimum (10" recommended to comply with ADA guidelines).
- g. Glass stops (if desired) to be permanently fixed on exterior side and screw/nail attached on the interior side. Consult factory for glass stop configurations.

B. Frames (Aluminum):

2. Material and Finish:

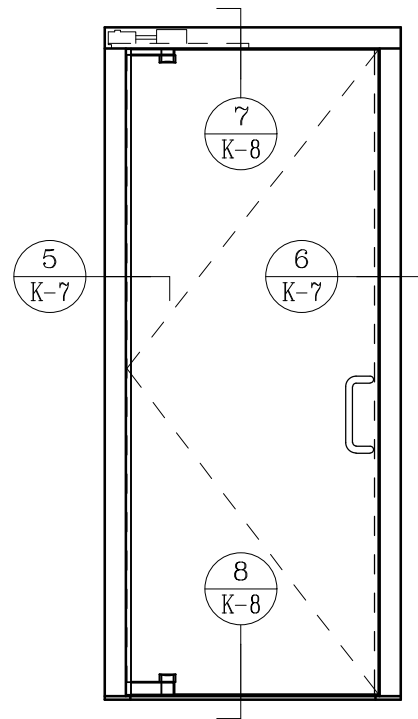
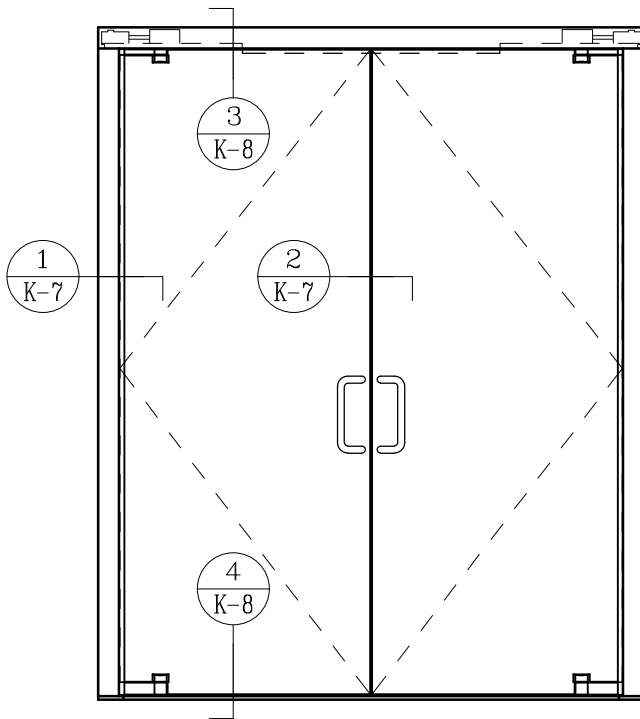
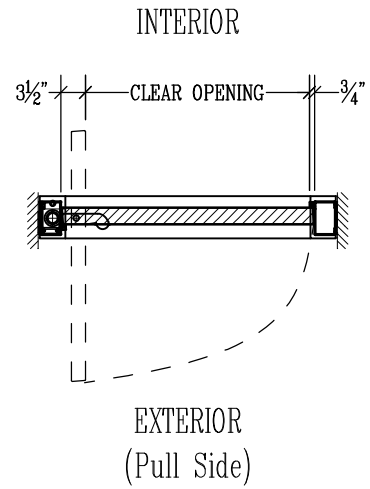
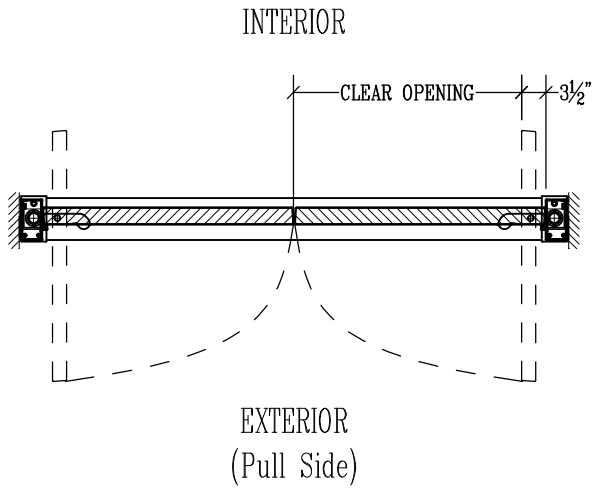
- a. Extruded aluminum alloy 6063-T6 with a minimum wall thickness of 1/8".
- b. Aluminum framing available in anodized, kynar painted and powder coat paint finishes.
- c. See details following on pages 9 and 10, for 3" x 6" profile and optional 3" x 5" profile.
- d. Refer to sections C-1 and C-2 for framed sidelight and transom configurations with applied glass stop configuration.
- e. Refer to section C-2 for multi-light/true divided construction.
- f. Refer to section C-3 for optional exposed clad shaft details.

3. Threshold and floorbox types: Refer to section C pages 14 & 16 for details.

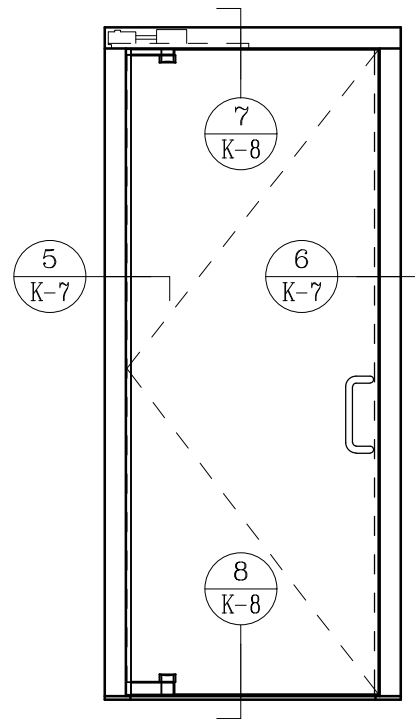
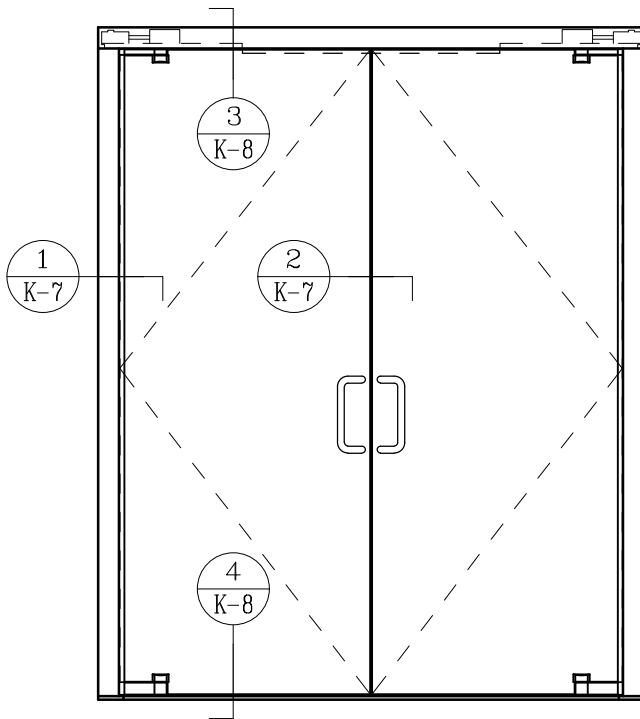
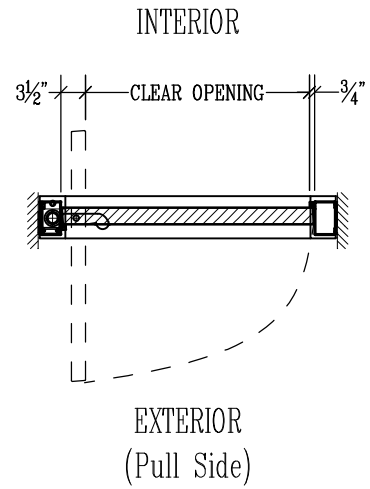
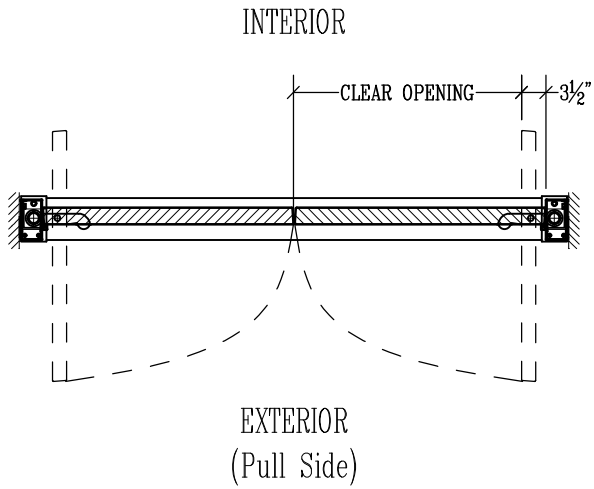
4. Door in open position/door projection: Refer to section C pages 13 & 15 for details.

5. Grilles: available, consult factory.

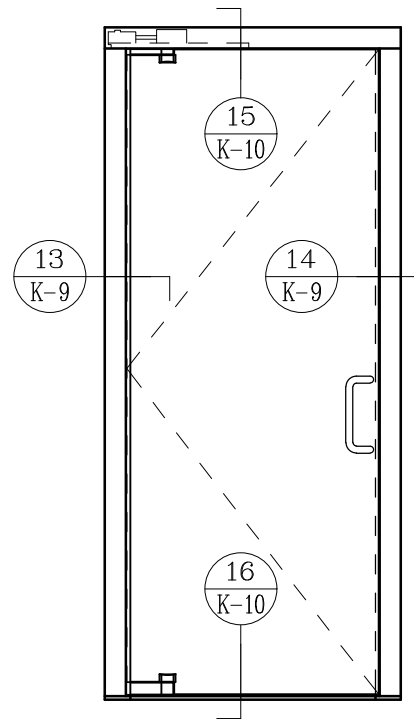
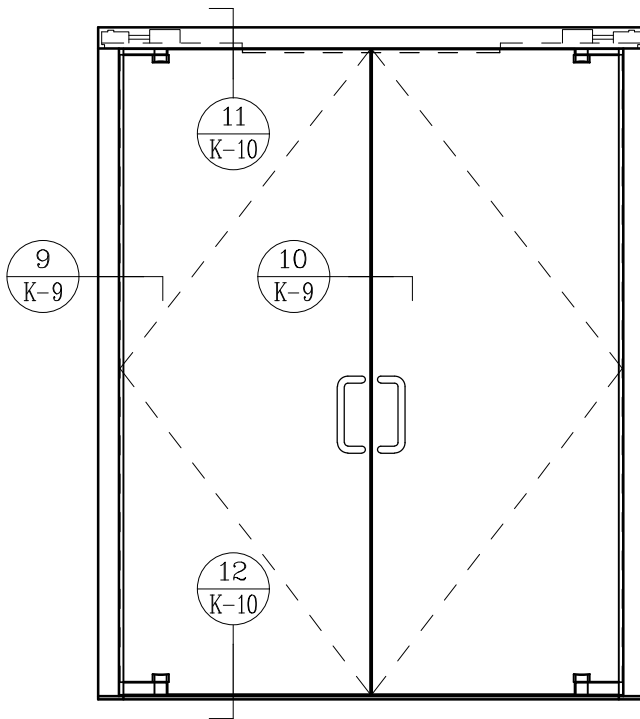
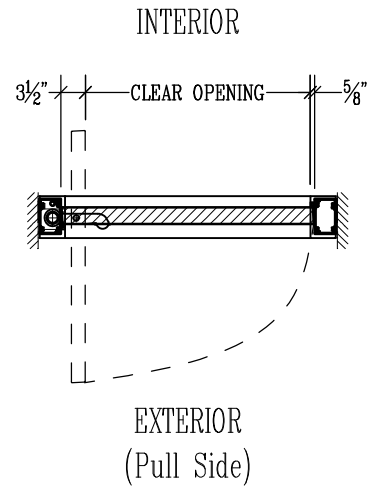
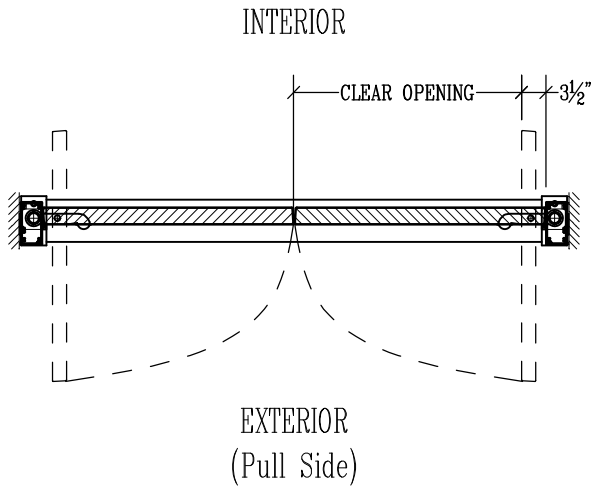
Formed-up Stainless Steel Framing (K-1)



Formed-up Bronze Framing (K-2)

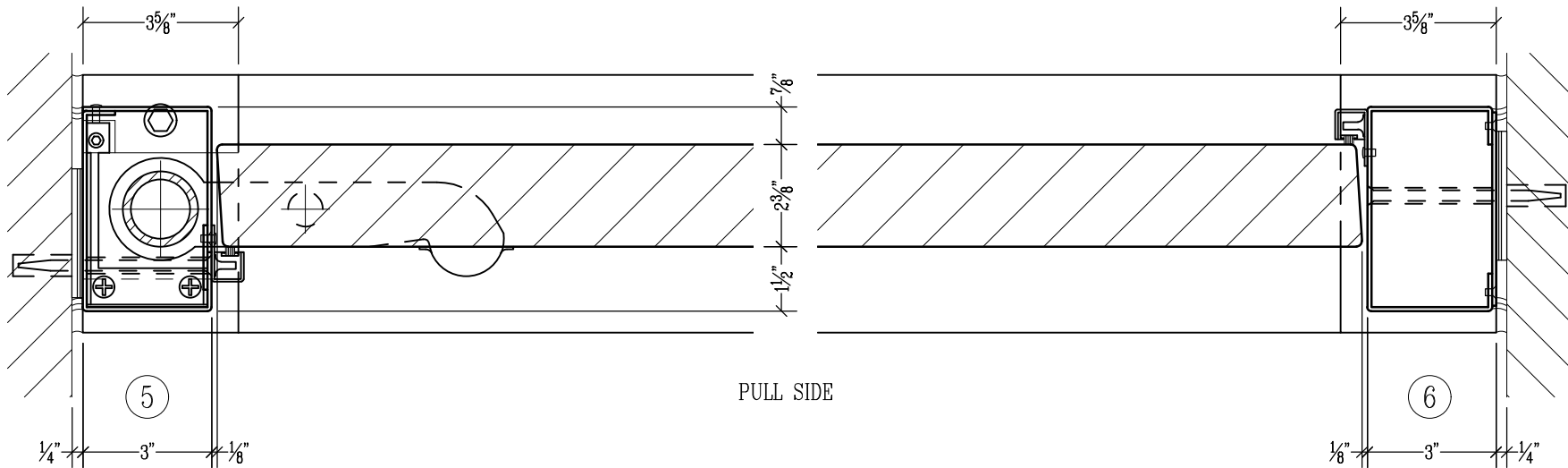
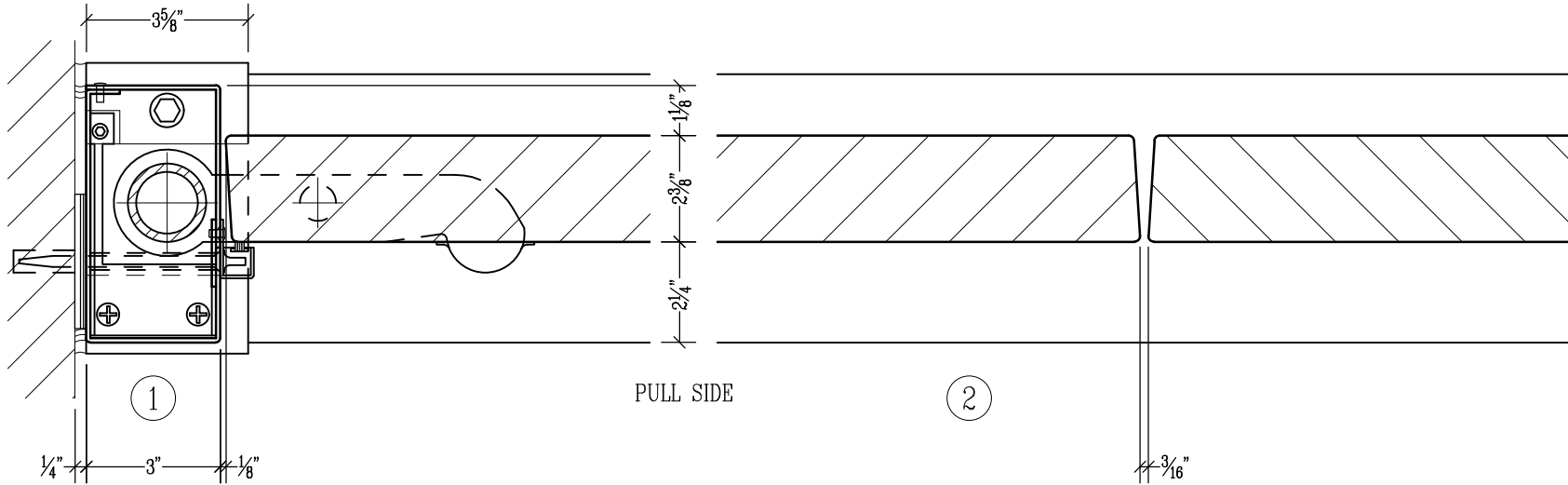


Extruded Aluminum Framing (K-3)

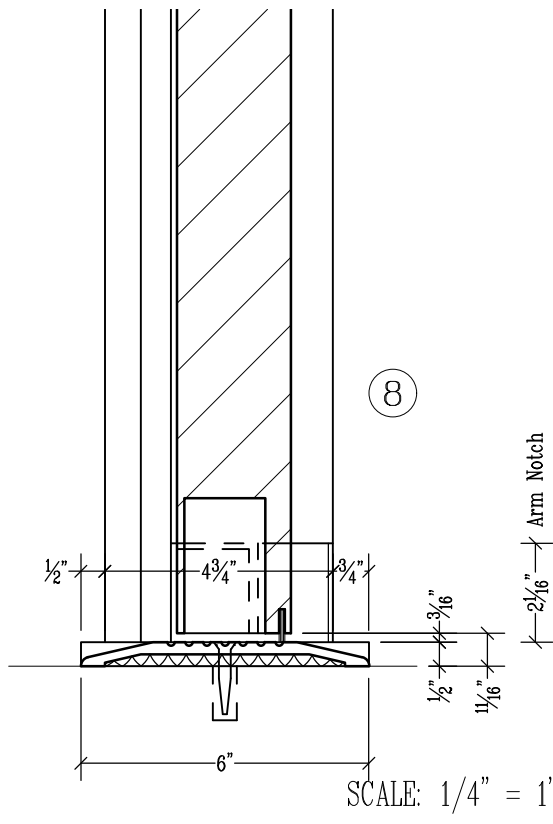
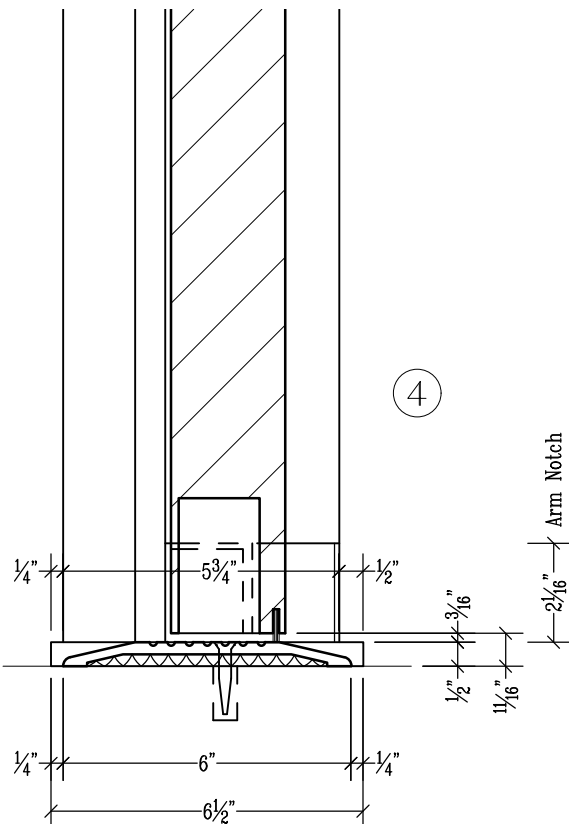
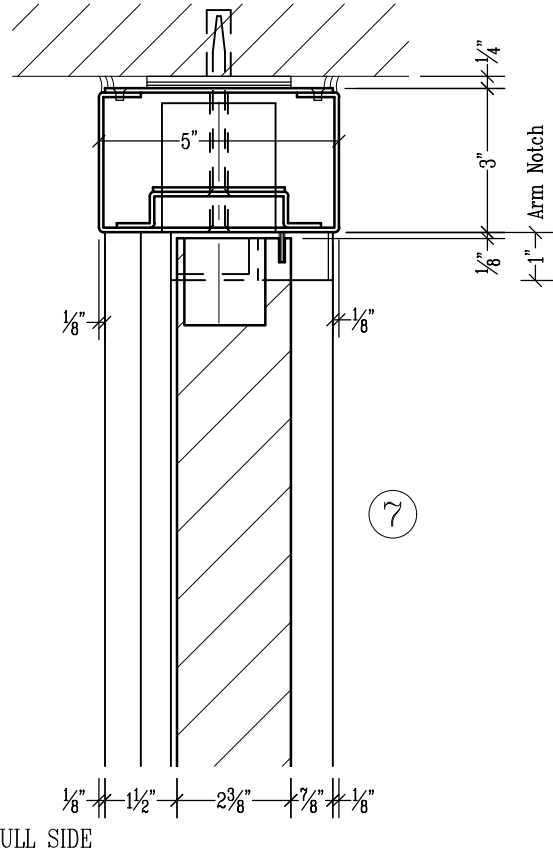
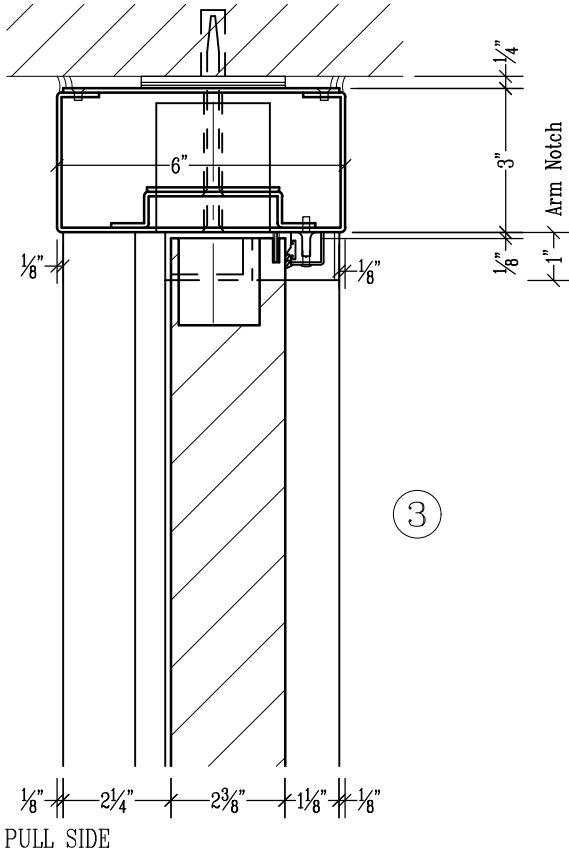


SHOWN WITH ALUMINUM FRAMING

Formed-up Stainless Steel or Bronze Framing (K-1 & 2)

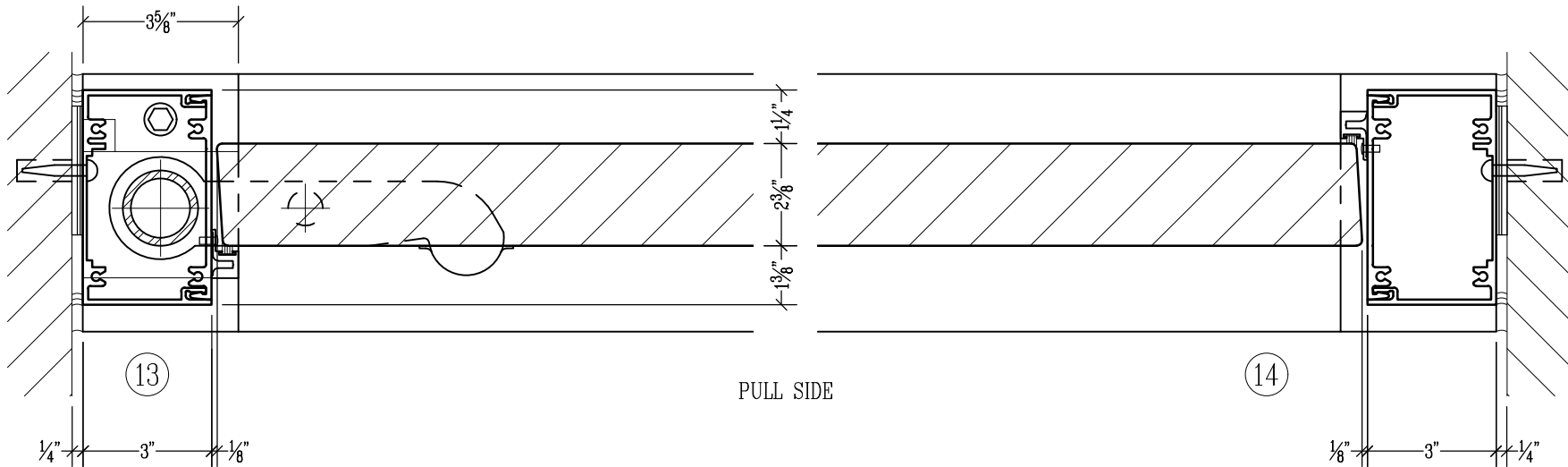
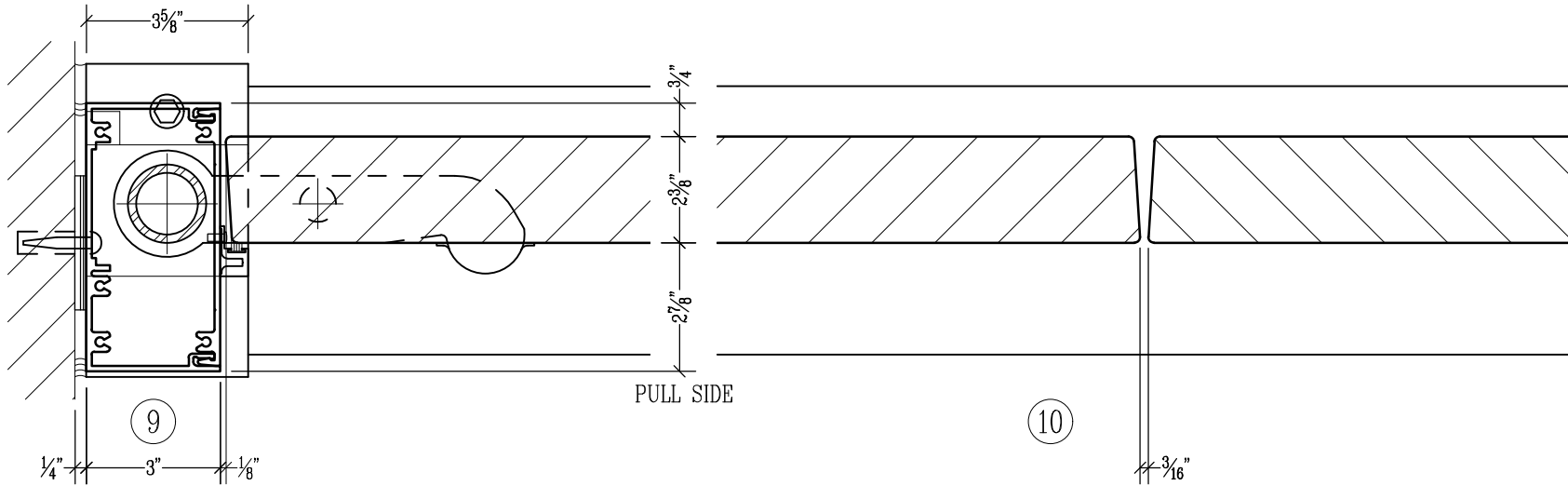


Formed-up Stainless Steel or Bronze Framing (K-1 & 2)

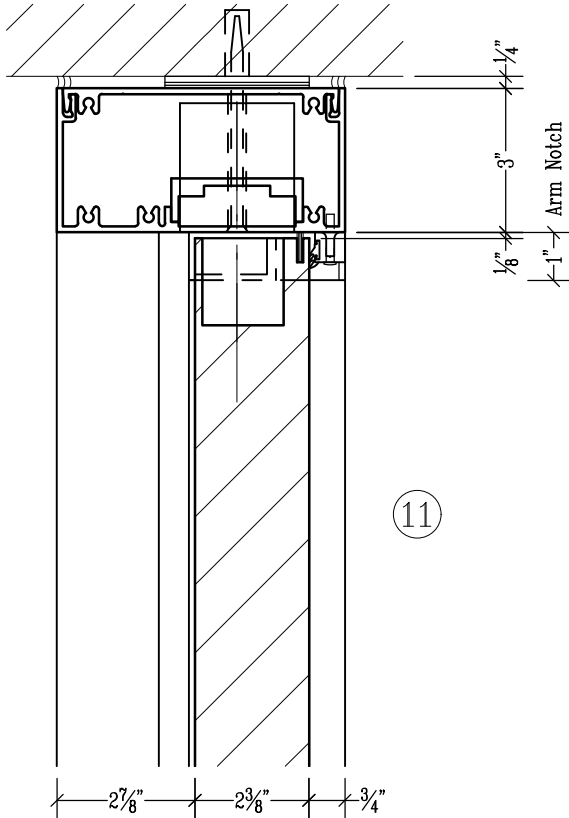


SCALE: 1/4" = 1"

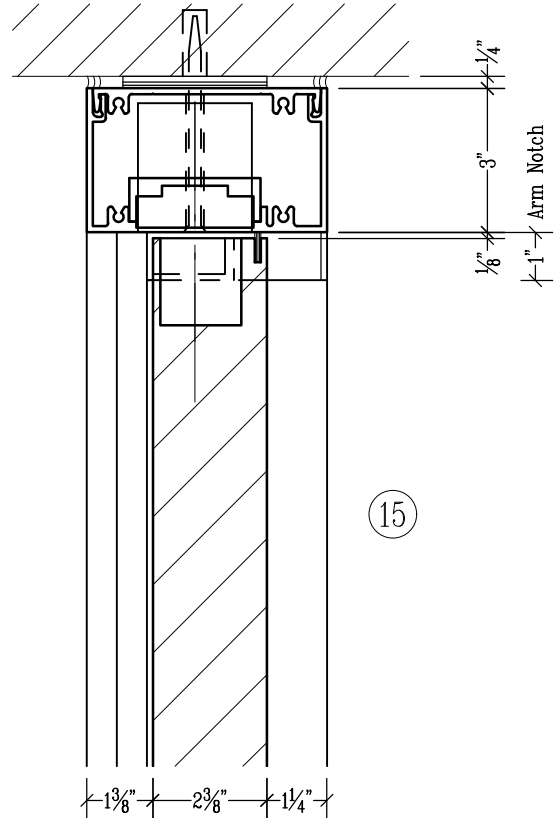
Extruded Aluminum Framing (K-3)



Extruded Aluminum Framing (K-3)



PULL SIDE



PULL SIDE

