

**Formed-up Stainless Steel Framing (K-1)**

**GENERAL DRAWING NOTES:**

**A. Doors (Wood):**

**1. Material and Finish:**

- a. Wood doors are available in American Black Walnut, Teak, American Black Cherry, Rift White Oak, Red Oak, Plain Sawn Mahogany. Consult the factory for other wood species
- b. Doors to receive a final factory applied natural medium gloss finish.
- c. Door thickness: 2 3/8" minimum to 3" maximum.
- d. Available stile widths: 3" minimum.
- e. Available top rail heights: 3" minimum.
- f. Available bottom rail heights: 6" minimum (10" recommended to comply with 2004 ADA guidelines).
- g. Glass stops (if desired) to be permanently fixed on exterior side and screw/nail attached on the interior side. Consult factory for glass stop configurations.

**B. Frames (Stainless Steel):**

**2. Material and Finish:**

- a. Standard for stainless steel is alloy number 304, with a minimum wall thickness of 3/32" (.09").
- b. Optional for stainless steel is alloy number 316 (more corrosion resistant), with a minimum wall thickness of 3/32" (.09").
- c. Formed-up framing available in polished, satin, non-directional (Jitterbug) and bead blasted finishes.
- d. See details following on pages 7 and 8, for 3" x 6" nominal profile and optional 3" x 5" nominal profile.
- e. Refer to sections A-1 and A-2 for framed sidelight and transom configurations with applied glass stop configuration.
- f. Refer to section A-2 for multi-light/true divided construction.
- g. Refer to section A-3 for framed sidelight and transom configurations with flush glazed stop configuration.
- h. Refer to section A-4 for optional exposed clad shaft details.

**3. Threshold and floorbox types:** Refer to section A pages 17 & 19 for details.

**4. Door in open position/door projection:** Refer to section A pages 16 & 18 for details.

**5. Grilles:** available, consult factory.

**6. Further information:** Refer to specifications following, miscellaneous items section M, curtainwall applications section L, or consult the factory.

**Formed-up Bronze Framing (K-2)**

**GENERAL DRAWING NOTES:**

**A. Doors (Wood):**

**1. Material and Finish:**

- a. Wood doors are available in American Black Walnut, Teak, American Black Cherry, Rift White Oak, Red Oak, Plain Sawn Mahogany. Consult the factory for other wood species
- b. Doors to receive a final factory applied natural medium gloss finish.
- c. Door thickness: 2 3/8" minimum to 3" maximum.
- d. Available stile widths: 3" minimum.
- e. Available top rail heights: 3" minimum.
- f. Available bottom rail heights: 6" minimum (10" recommended to comply with 2004 ADA guidelines).
- g. Glass stops (if desired) to be permanently fixed on exterior side and screw/nail attached on the interior side. Consult factory for glass stop configurations.

**B. Frames (Bronze):**

**2. Material and Finish:**

- a. Muntz metal alloy number 280 or naval brass alloy number 464, with a minimum wall thickness of 3/32" (.09").
- b. Formed-up framing available in polished, satin, non-directional (Jitterbug) and bead blasted finishes.
- c. See details following on pages 7 and 8, for 3" x 6" nominal profile and optional 3" x 5" nominal profile.
- d. Refer to sections B-1 and B-2 for framed sidelight and transom configurations with applied glass stop configuration.
- e. Refer to section B-2 for multi-light/true divided construction.
- f. Refer to section B-3 for framed sidelight and transom configurations with flush glazed stop configuration.
- g. Refer to section B-4 for optional exposed clad shaft details.

**3. Threshold and floorbox types:** Refer to section B pages 17 & 19 for details.

**4. Door in open position/door projection:** Refer to section B pages 16 & 18 for details.

**5. Grilles:** available, consult factory.

**6. Further information:** Refer to specifications following, miscellaneous items section M, curtainwall applications section L, or consult the factory.

**Extruded Aluminum Framing (K-3)**

**GENERAL DRAWING NOTES:**

**A. Doors (Wood):**

**1. Material and Finish:**

- a. Wood doors are available in American Black Walnut, Teak, American Black Cherry, Rift White Oak, Red Oak, Plain Sawn Mahogany. Consult the factory for other wood species
- b. Doors to receive a final factory applied natural medium gloss finish.
- c. Door thickness: 2 3/8" minimum to 3" maximum.
- d. Available stile widths: 3" minimum.
- e. Available top rail heights: 3" minimum.
- f. Available bottom rail heights: 6" minimum (10" recommended to comply with 2004 ADA guidelines).
- g. Glass stops (if desired) to be permanently fixed on exterior side and screw/nail attached on the interior side. Consult factory for glass stop configurations.

**B. Frames (Aluminum):**

**2. Material and Finish:**

- a. Extruded aluminum alloy 6063-T6 with a minimum wall thickness of 1/8".
- b. Aluminum framing available in anodized, kynar painted and powder coat paint finishes.
- c. See details following on pages 9 and 10, for 3" x 6" profile and optional 3" x 5" profile.
- d. Refer to sections C-1 and C-2 for framed sidelight and transom configurations with applied glass stop configuration.
- e. Refer to section C-2 for multi-light/true divided construction.
- f. Refer to section C-3 for optional exposed clad shaft details.

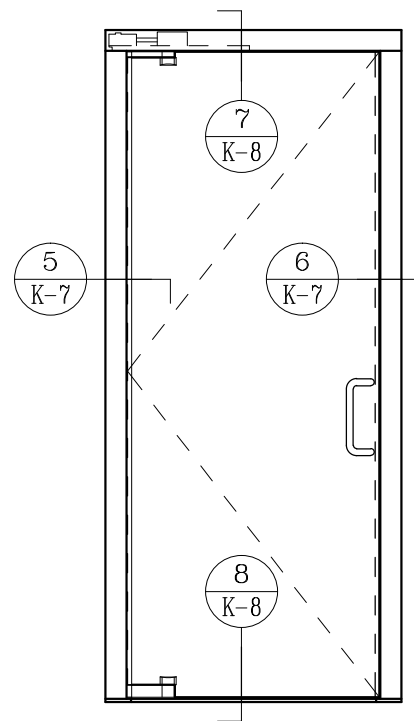
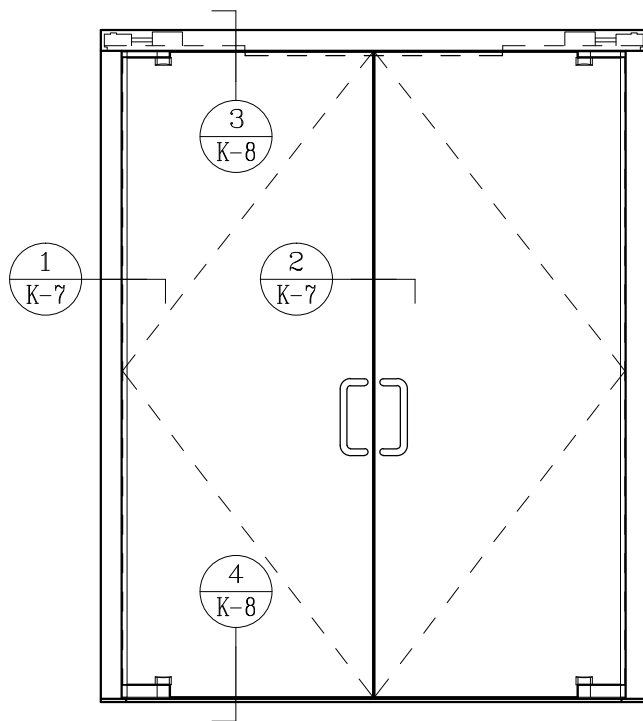
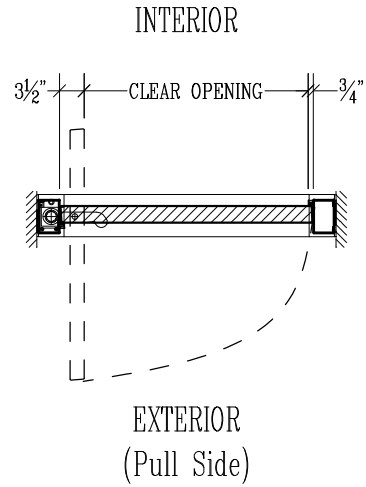
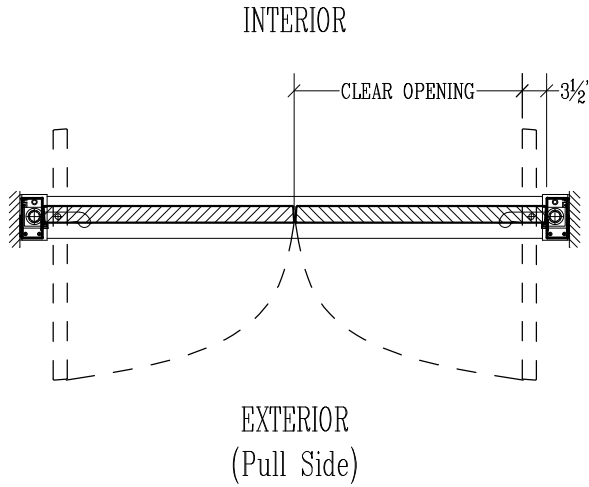
**3. Threshold and floorbox types:** Refer to section C pages 14 & 16 for details.

**4. Door in open position/door projection:** Refer to section C pages 13 & 15 for details.

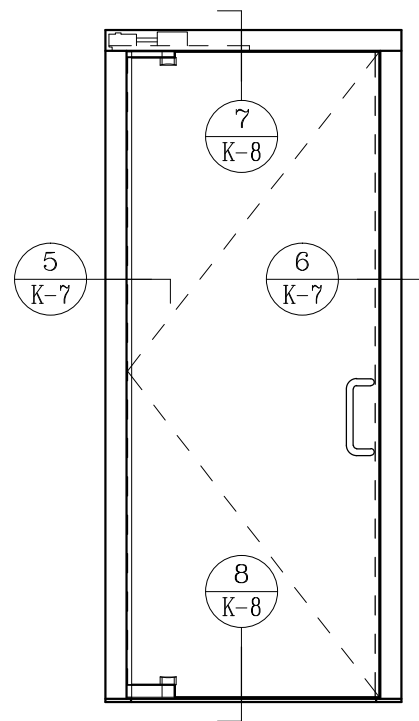
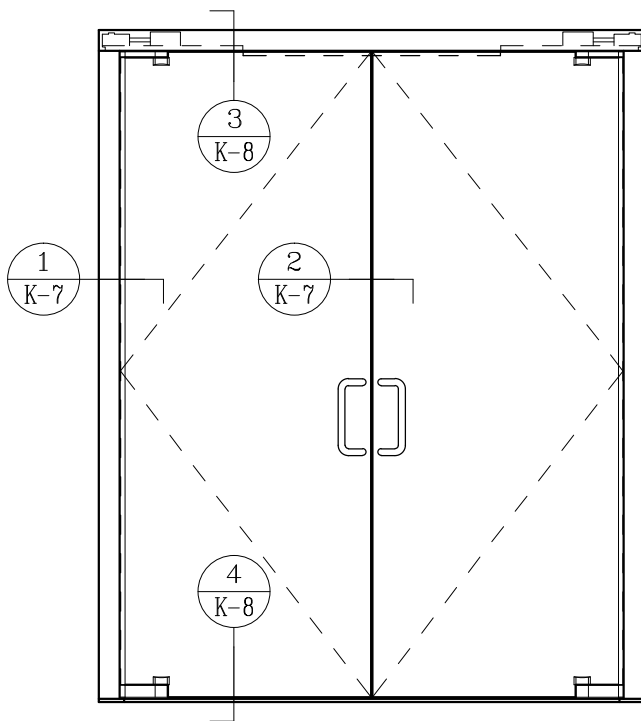
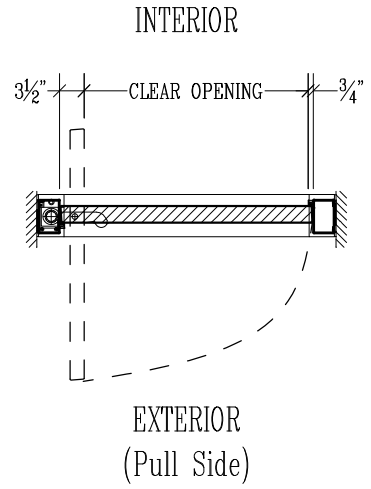
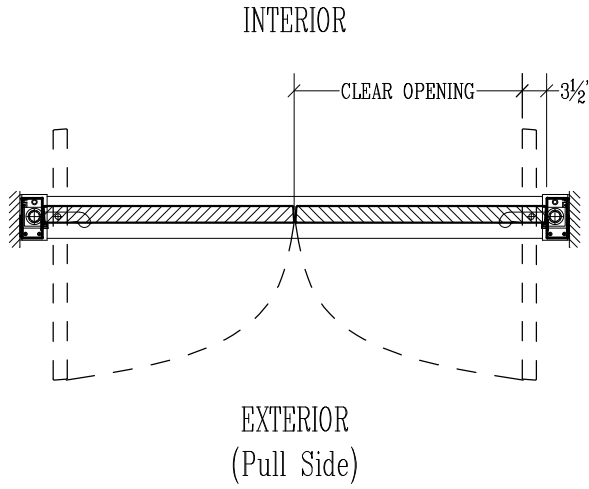
**5. Grilles:** available, consult factory.

**6. Further information:** Refer to specifications following, miscellaneous items section M, curtainwall applications section L, or consult the factory.

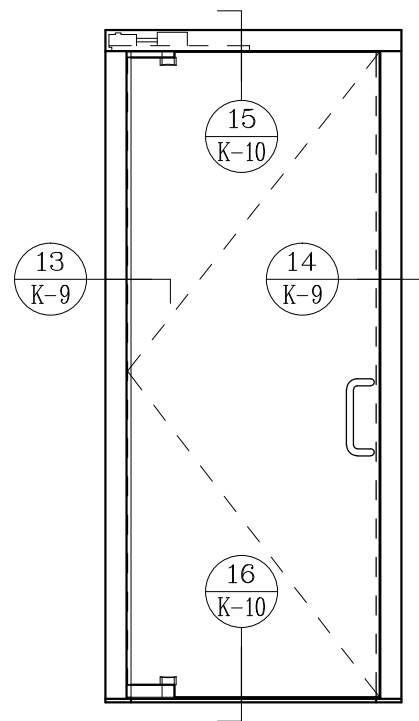
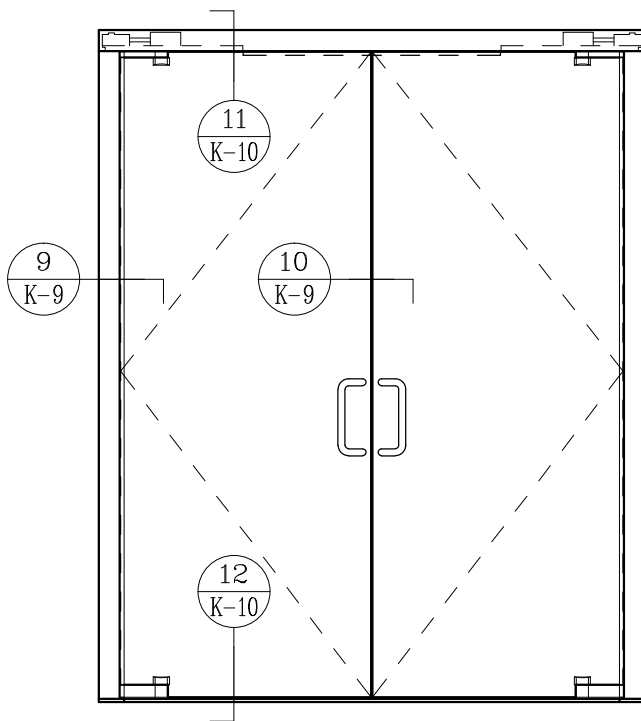
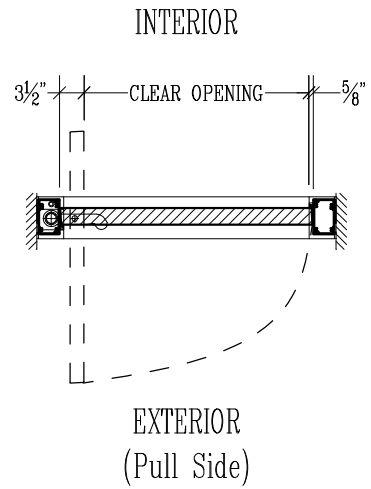
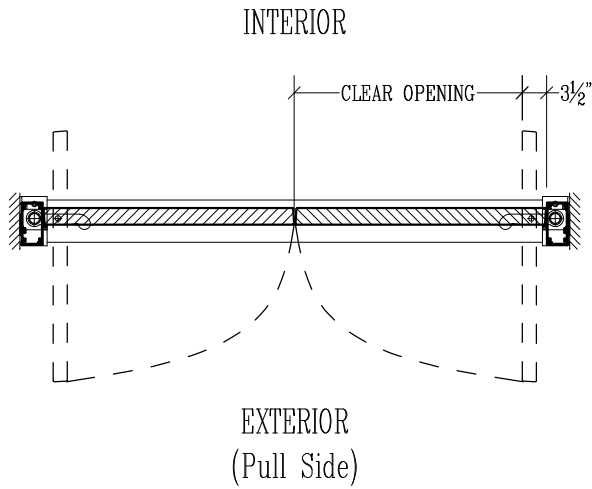
**Formed-up Stainless Steel Framing (K-1)**



**Formed-up Bronze Framing (K-2)**

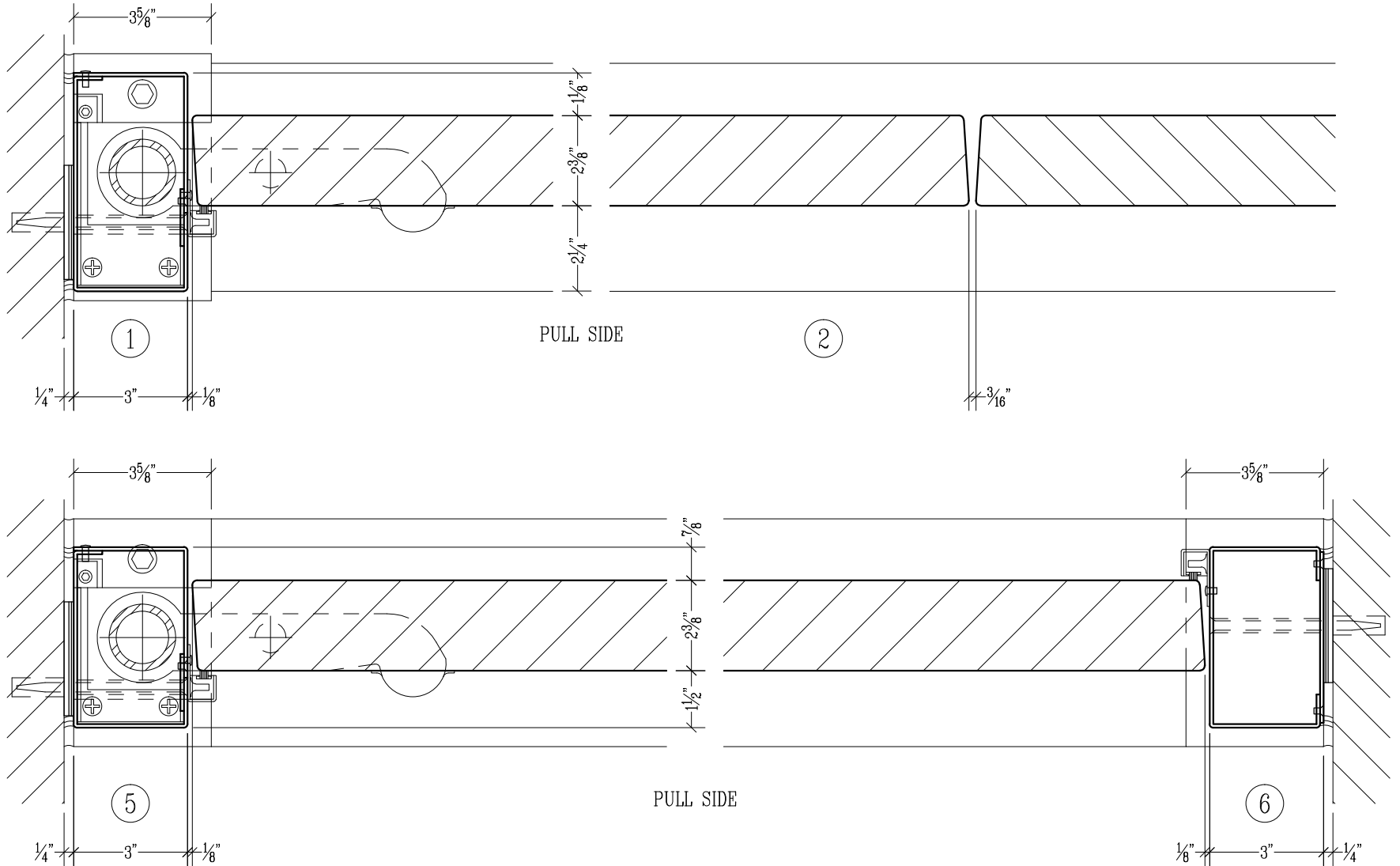


**Extruded Aluminum Framing (K-3)**

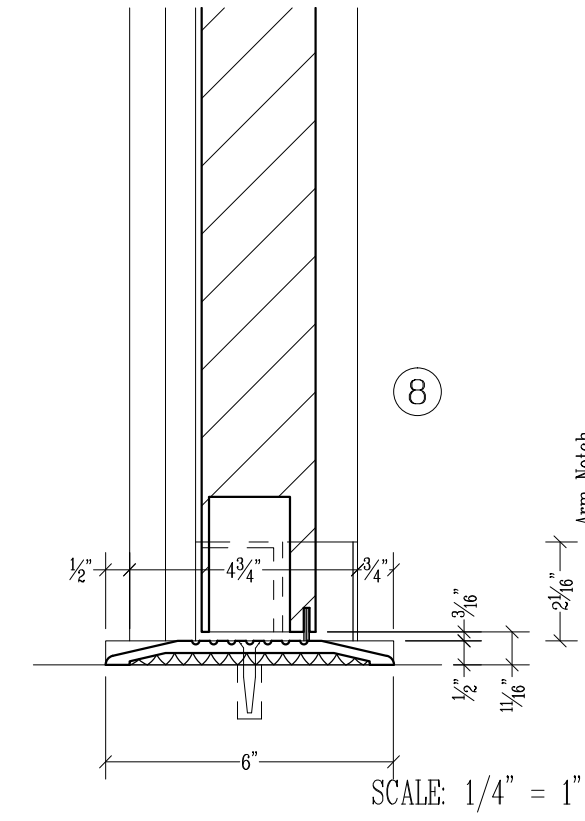
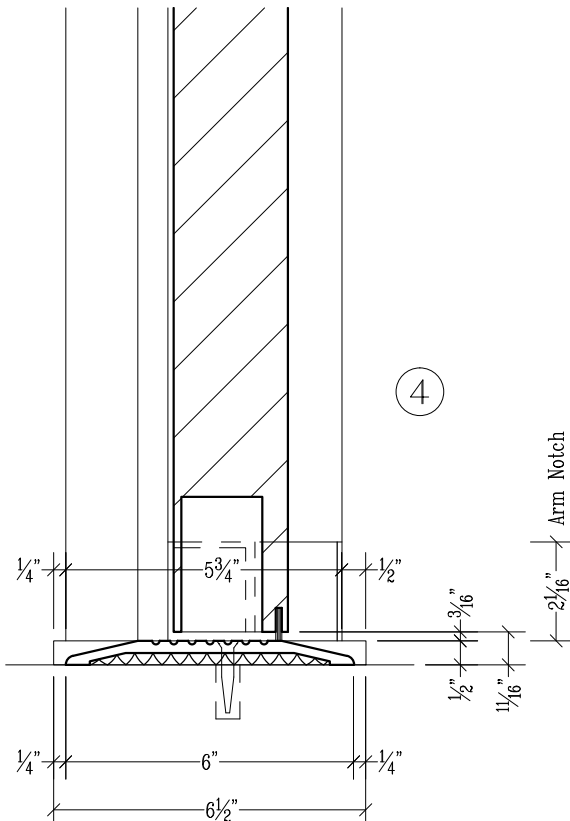
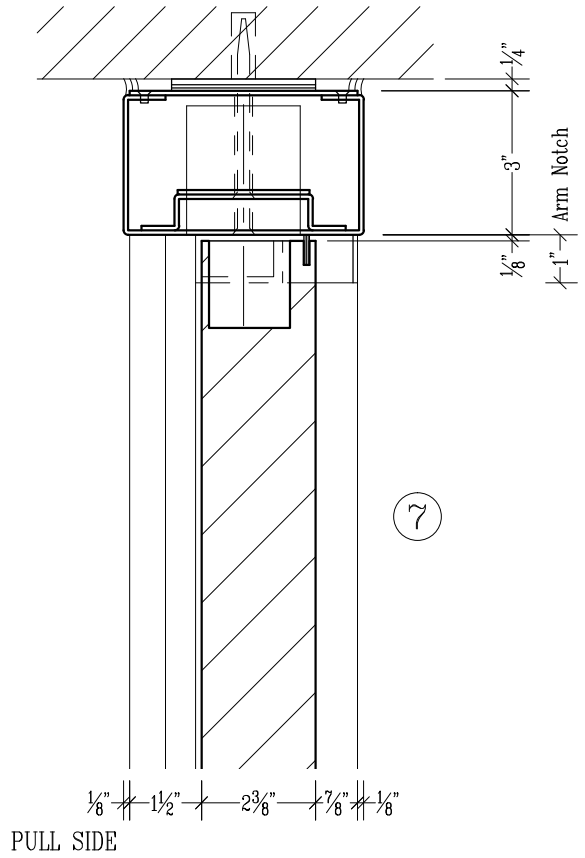
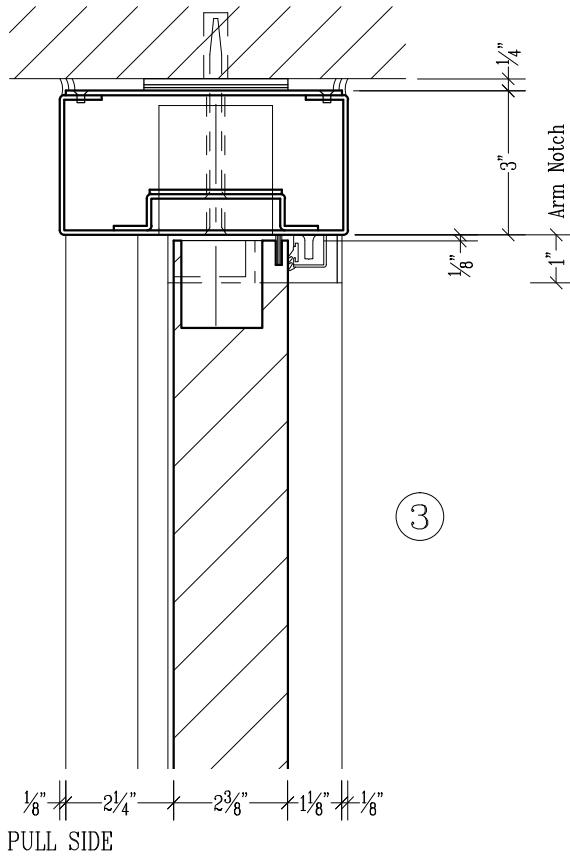


SHOWN WITH ALUMINUM FRAMING

**Formed-up Stainless Steel or Bronze Framing (K-1 & 2)**



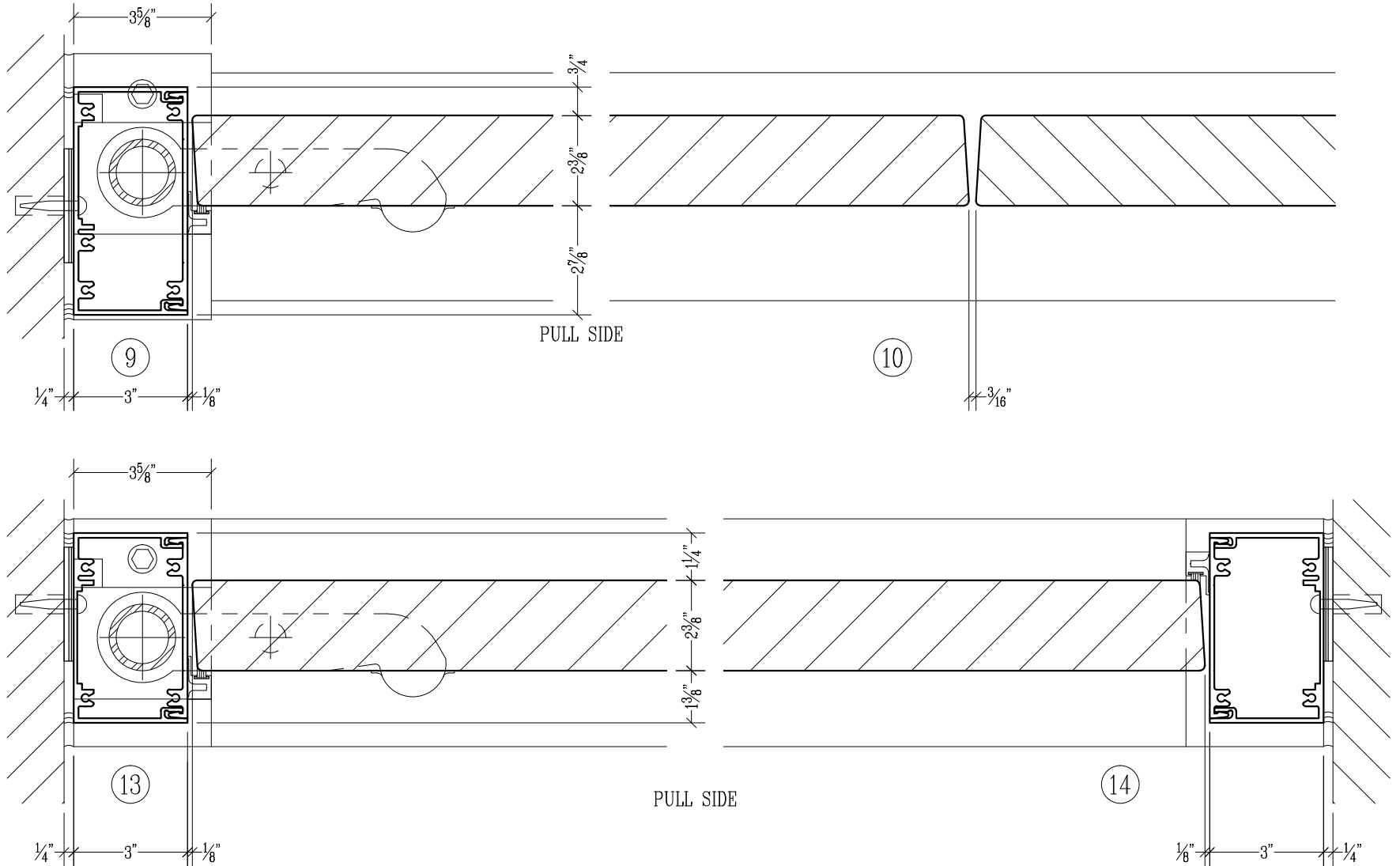
Formed-up Stainless Steel or Bronze Framing (K-1 & 2)



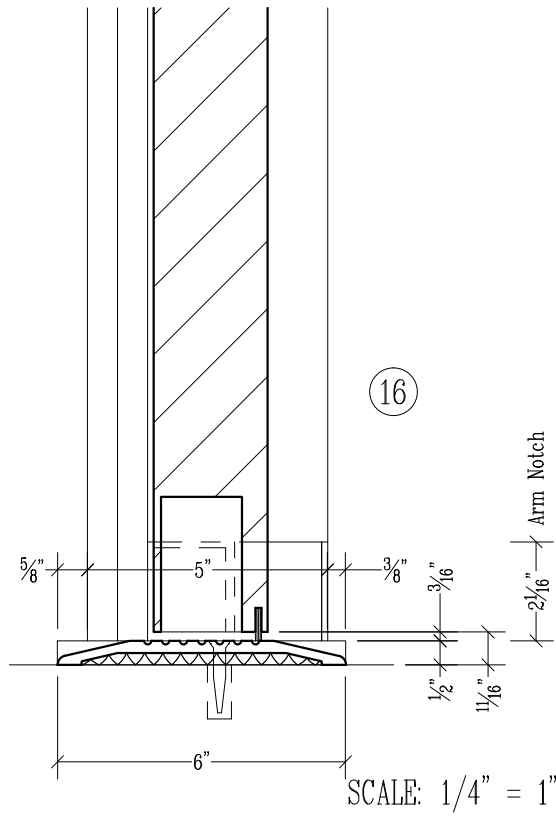
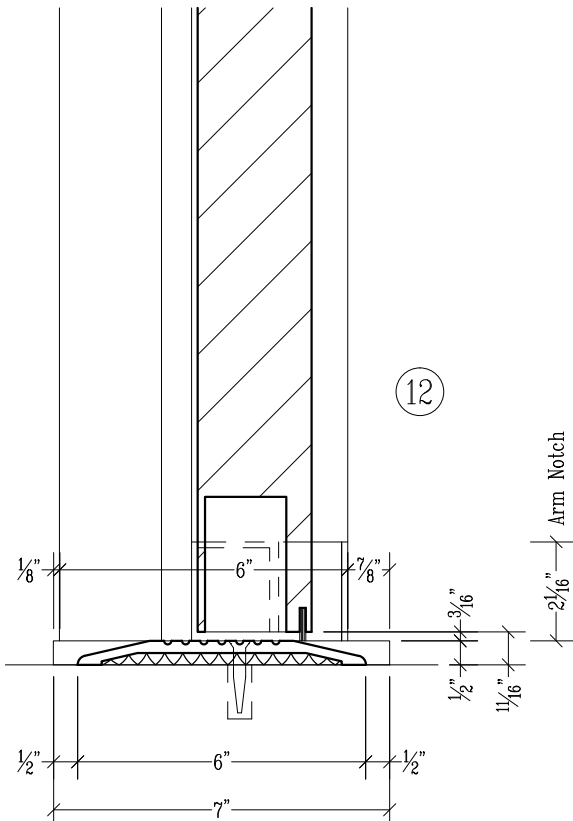
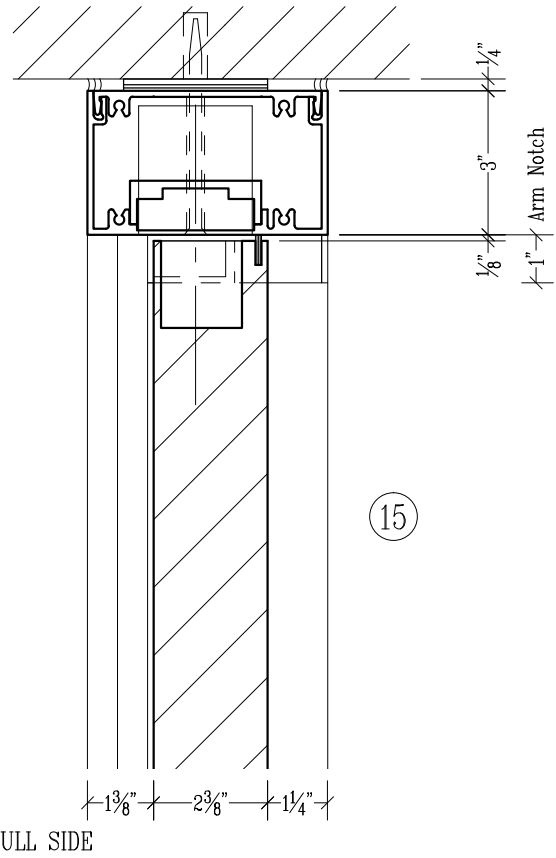
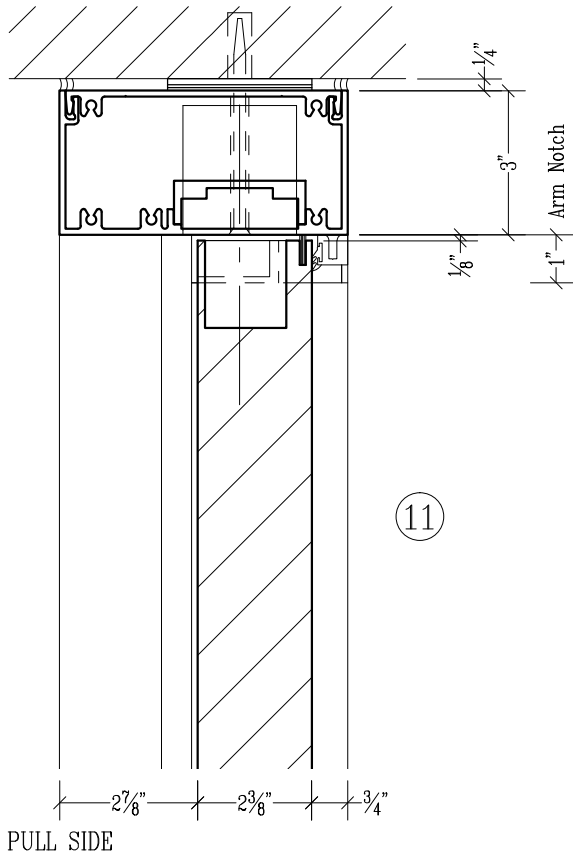
SCALE: 1/4" = 1"



**Extruded Aluminum Framing (K-3)**



**Extruded Aluminum Framing (K-3)**



SCALE: 1/4" = 1"